



Rockford Sanitary Systems, Inc.

ROCKFORD, IL 61125-0963

(815) 229-5077 - (800) 747-5077 - FAX (815) 229-5108

WEB SITE-www.rkfdseparators.com E MAIL-rssem@rkfdseparators.com

MODEL NO. GF-2420-R

GREASE SEPARATOR

DRAWN BY

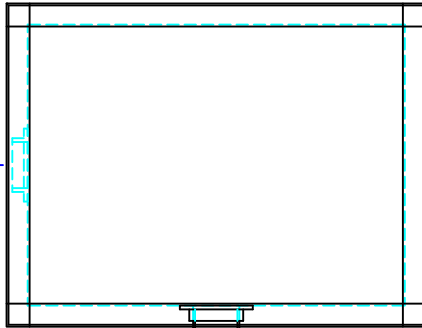
QUOTE #

JOB NAME

W.R.W.

INLET

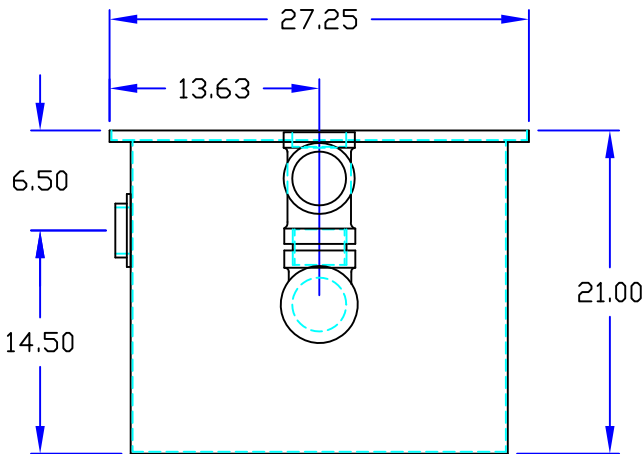
10.50



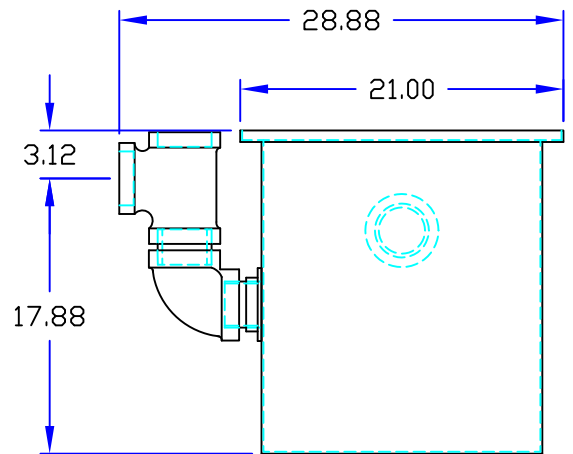
OUTLET

OPTIONAL FEATURES (ADDITIONAL COST)

- ANCHOR FLANGE
- RECESSED LIFT HANDLES IN COVERS
- EPOXY COATING
- REINFORCED COVER
- ALUMINUM COVER
- STAINLESS STEEL CONSTRUCTION
- SEDIMENT BASKET
- INTEGRAL EXTENSION _____ INCHES
- ALTERNATE VENT TAPPING SIZE _____ INCHES
- ALTERNATE INLET & OUTLET SIZE _____ INCHES
- CLAMP RING
- ANODES
- FILTER MEDIA



INLET



OUTLET

Specifications

Rockford Model GF-2420-R all welded 10 Ga. steel separator, 31 gallon static capacity, 30 g.p.m. intermittent flow, 3.00" tapped inlet and outlet connection, 90 lbs. greasy sludge capacity, visible double-wall outside trap seal, easily removable filter screen and separator screen, removable 3/8" nonskid diamond tread-plate cover for flush in the floor installation suitable for pedestrian traffic secured with stainless flat head screws, heavy duty leak-proof gasket, OPEX Shop Coat coating inside and bituminous coating outside.

Optional features (Additional cost) listed above



Approved By

Company

Date