



Rockford Sanitary Systems, Inc.

ROCKFORD, IL 61125-0963

(815) 229-5077 - (800) 747-5077 - FAX (815) 229-5108

WEB SITE-www.rkfdseparators.com E MAIL-rssem@rkfdseparators.com

MODEL NO. GF-2824-R

GREASE SEPARATOR

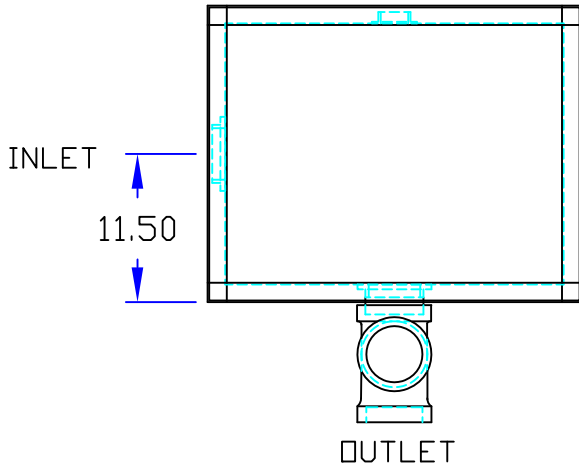
DRAWN BY

QUOTE #

JOB NAME

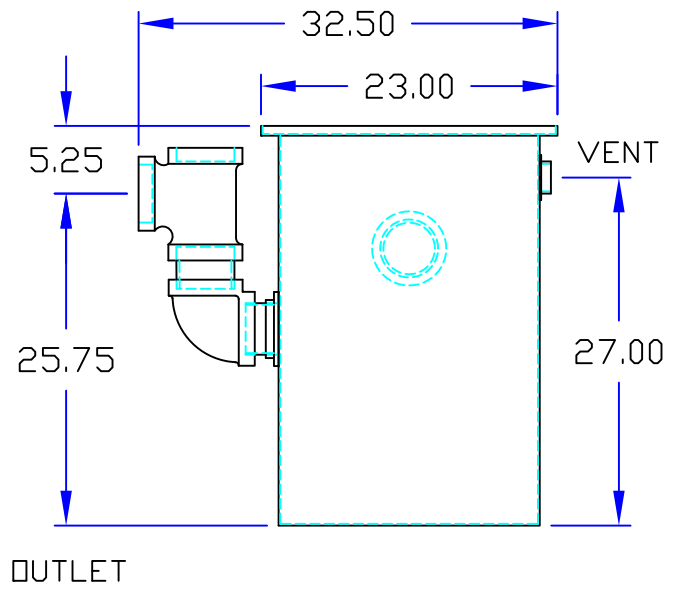
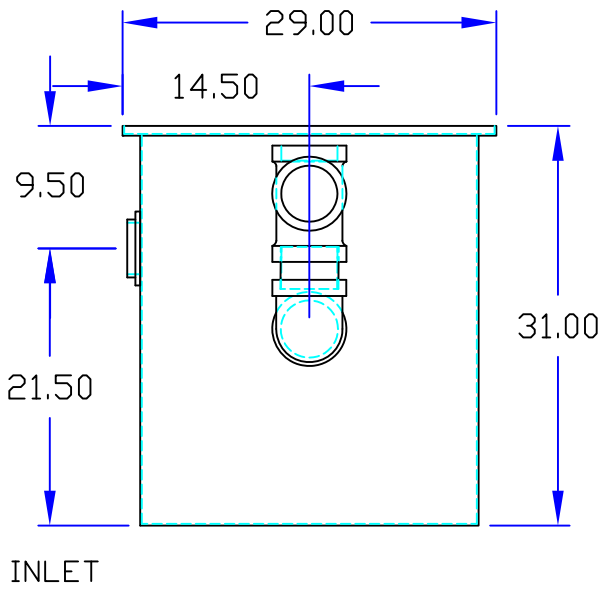
W.R.W.

VENT



OPTIONAL FEATURES (ADDITIONAL COST)

- ANCHOR FLANGE
- RECESSED LIFT HANDLES IN COVERS
- EPOXY COATING
- REINFORCED COVER
- ALUMINUM COVER
- STAINLESS STEEL CONSTRUCTION
- SEDIMENT BASKET
- INTEGRAL EXTENSION \_\_\_\_\_ INCHES
- ALTERNATE VENT TAPPING SIZE \_\_\_\_\_ INCHES
- ALTERNATE INLET & OUTLET SIZE \_\_\_\_\_ INCHES
- CLAMP RING
- ANODES
- FILTER MEDIA



# Specifications

Rockford Model GF-2824-R all welded 10 Ga. steel separator, 54 gallon static capacity, 40 g.p.m. intermittent flow, 4.00" tapped inlet/outlet with 2.00" tapped internal vent connection, 180 lbs greasy sludge capacity, visible double-wall outside trap seal, easily removable separator screen and filter screen, removable 3/8" nonskid diamond treadplate cover for flush with floor installation suitable for pedestrian traffic secured with stainless flat head screws, heavy duty leak-proof gasket, DPEX Shop Coat coating inside and bituminous coating outside.

Optional features (Additional cost) listed above



Approved By

Company

Date