



Rockford Sanitary Systems, Inc.

ROCKFORD, IL 61125-0963

(815) 229-5077 - (800) 747-5077 - FAX (815) 229-5108

WEB SITE-www.rkfdseparators.com E MAIL-rssem@rkfdseparators.com

MODEL NO. GF-3475-R

GREASE SEPARATOR

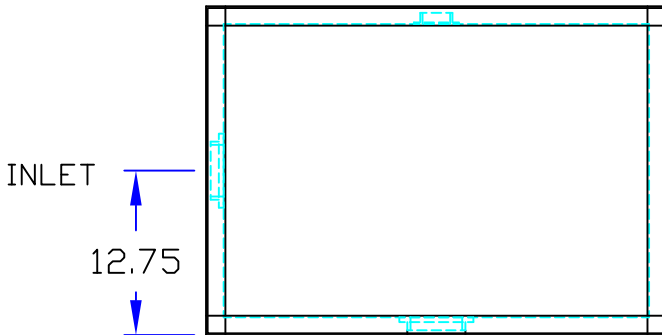
DRAWN BY

QUOTE #

JOB NAME

W.R.W.

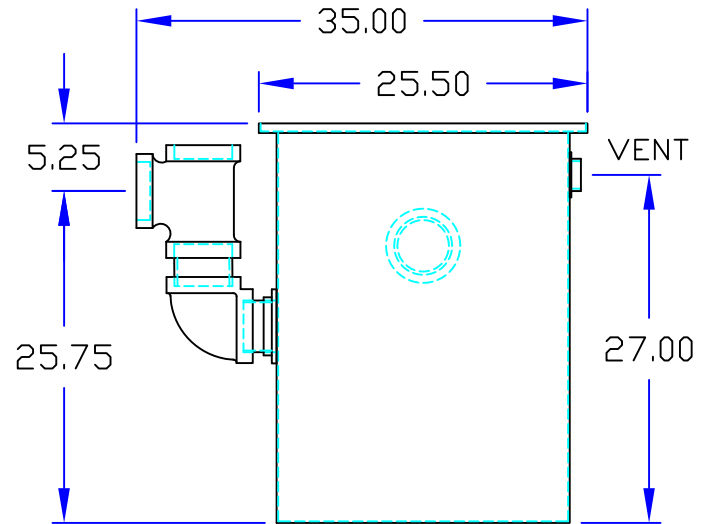
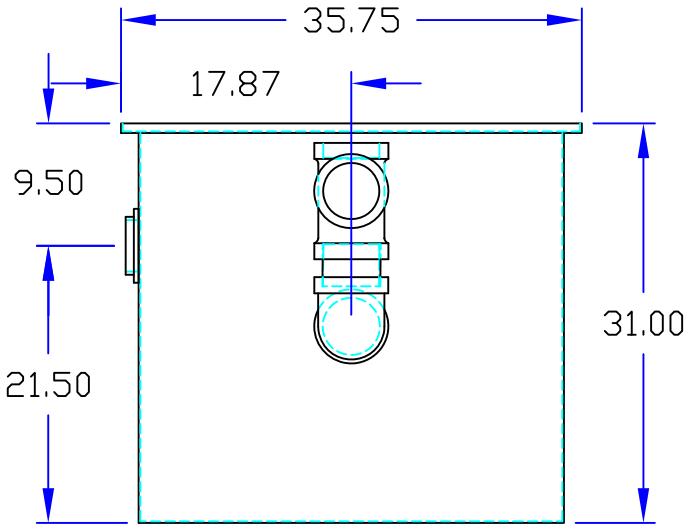
VENT



OPTIONAL FEATURES (ADDITIONAL COST)

- ANCHOR FLANGE
- CLAMP RING
- RECESSED LIFT HANDLES IN COVERS
- EPOXY COATING
- ANODES
- REINFORCED COVER
- ALUMINUM COVER
- STAINLESS STEEL CONSTRUCTION
- SEDIMENT BASKET
- FILTER MEDIA
- INTEGRAL EXTENSION _____ INCHES
- ALTERNATE VENT TAPPING SIZE _____ INCHES
- ALTERNATE INLET & OUTLET SIZE _____ INCHES

OUTLET



INLET

OUTLET

Specifications

Rockford Model GF-3475-R all welded 10 Ga. steel separator, 80 gallon static capacity, 75 g.p.m. intermittent flow, 4.00" tapped inlet/outlet with 2.00" tapped internal vent connection, 300 lbs greasy sludge capacity, visible double-wall outside trap seal, easily removable separator screen and filter screen, removable 3/8" nonskid diamond treadplate cover for flush with floor installation suitable for pedestrian traffic secured with stainless flat head screws, heavy duty leak-proof gasket, PEX Shop Coat coating inside and bituminous coating outside.

Optional features (Additional cost) listed above



Approved By

Company

Date