



Rockford Sanitary Systems, Inc.

ROCKFORD, IL 61125-0963

(815) 229-5077 - (800) 747-5077 - FAX (815) 229-5108

WEB SITE-www.rkfdseparators.com E MAIL-rssem@rkfdseparators.com

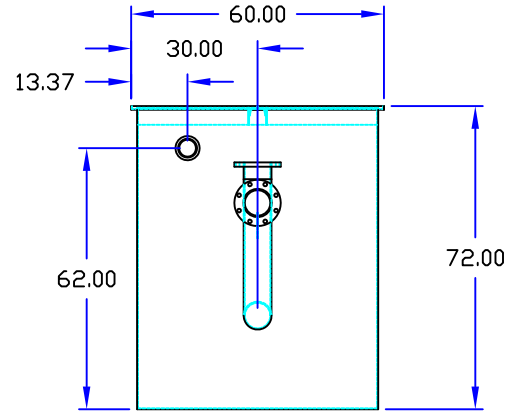
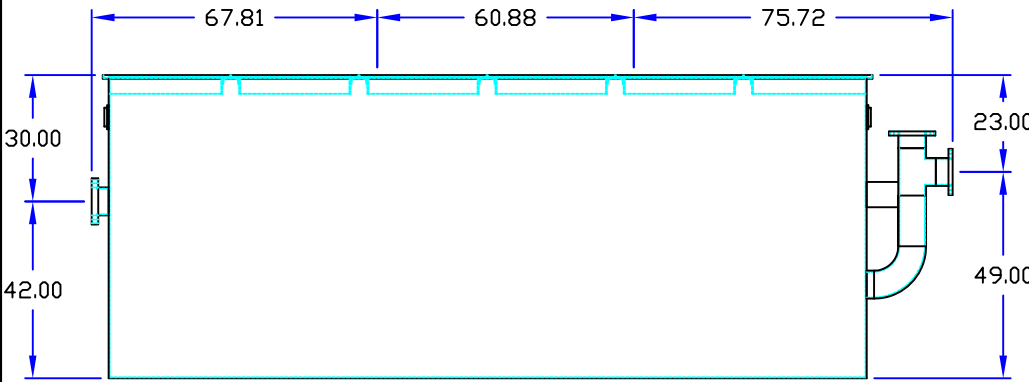
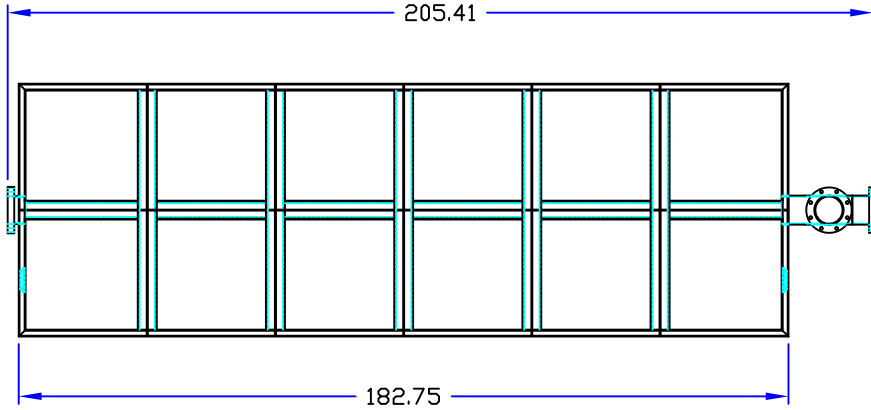
MODEL NO. GIS-270

GREASE SEPARATOR

DRAWN BY QUOTE #
W.R.W.

JOB NAME

- OPTIONAL FEATURES (ADDITIONAL COST)
- ANCHOR FLANGE CLAMP RING
 - RECESSED LIFT HANDLES IN COVERS
 - EPOXY COATING ANODES
 - REINFORCED COVERS FOR H20 LOAD
 - STAINLESS STEEL CONSTRUCTION
 - SEDIMENT BASKET FILTER MEDIA
 - INTEGRAL EXTENSION _____ INCHES
 - ALUMINUM COVER
 - ALTERNATE INLET & OUTLET SIZE _____ INCHES
 - ALTERNATE VENT CONNECTION SIZE _____ INCHES
 - DOUBLE WALL CONSTRUCTION
 - LEAK DETECTION



Specifications

Rockford Model GIS-270 all welded 1/4" steel separator, 2000 gallon static capacity, 1250 g.p.m. intermittent flow, 6.00" companion flange inlet/outlet with 4.00" tapped internal vent connection, 2600 lbs greasy sludge capacity, visible double-wall outside trap seal, separator plate and removeable filter screen, removable 3/8" nonskid aluminum diamond treadplate covers for flush with floor installation suitable for pedestrian traffic secured with Stainless flat head screws, heavy duty leak-proof gasket, PEX Shop Coat coating inside and bituminous coating outside.

Optional features (Additional cost) listed above



Approved By

Company

Date