



Rockford Sanitary Systems, Inc.

ROCKFORD, IL 61125-0963

(815) 229-5077 - (800) 747-5077 - FAX (815) 229-5108

WEB SITE-www.rkfdseparators.com E MAIL-rssem@rkfdseparators.com

MODEL NO. RPS-75

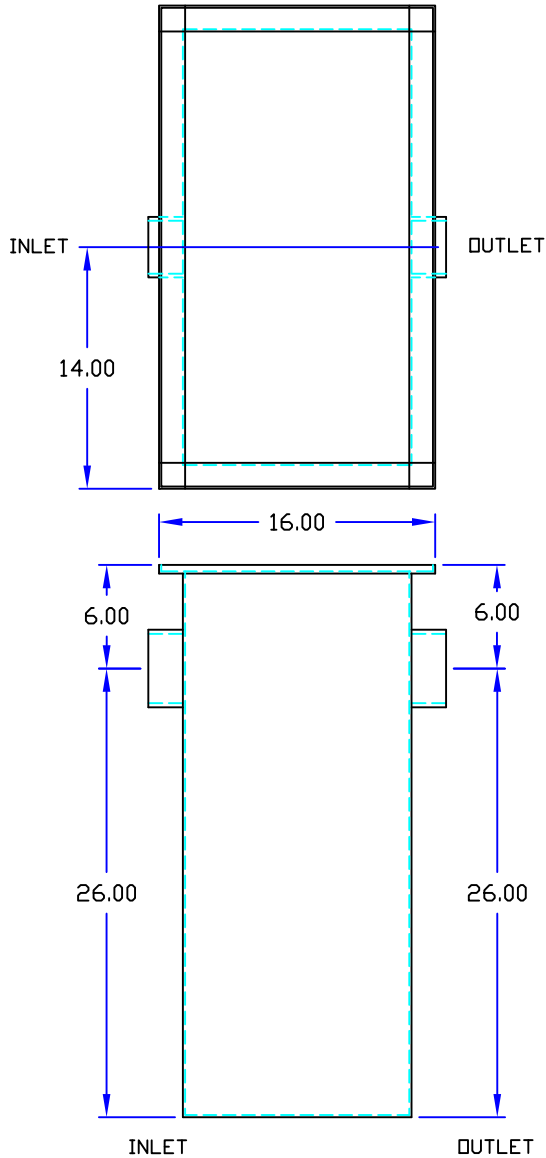
SOLIDS INTERCEPTOR

DRAWN BY

QUOTE #

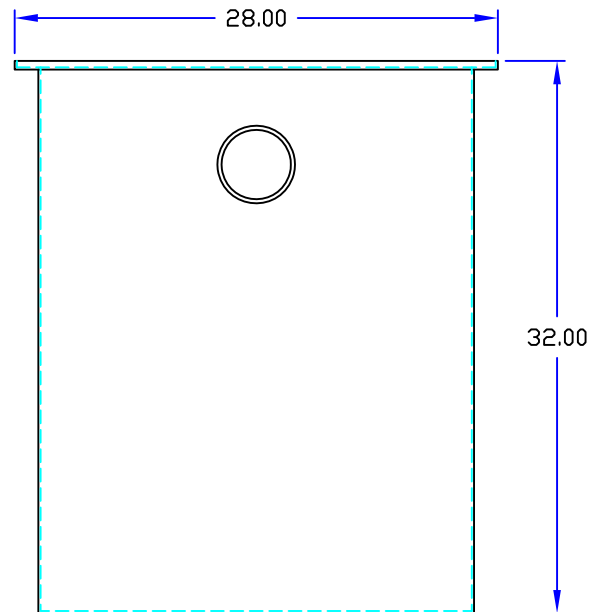
JOB NAME

W.R.W.



OPTIONAL FEATURES (ADDITIONAL COST)

- ANCHOR FLANGE
- EPOXY COATING
- STAINLESS STEEL CONSTRUCTION
- INTEGRAL EXTENSION \_\_\_\_\_ INCHES
- INLET & OUTLET SIZE \_\_\_\_\_ INCHES
- ALUMINUM COVER
- THREADED CONNECTIONS



### Specifications

Rockford Model RPS-75 all welded steel solids interceptor, for on the floor or flush with the floor installation, 75 g.p.m. intermittent flow, 4.00" no hub inlet and outlet connections, removable 3/16" nonskid diamond threadplate cover for on the floor or flush with floor installation suitable for pedestrian traffic, secured with stainless steel flat head screws, heavy duty leak-proof gasket, enamel coating inside and outside.

Shipping Weight = 175 lbs.

Optional features (Additional cost) listed above

Approved By

Company

Date