



Rockford Sanitary Systems, Inc.

ROCKFORD, IL 61125-0963

(815) 229-5077 - (800) 747-5077 - FAX (815) 229-5108

WEB SITE-www.rkfdseparators.com E MAIL-rssem@rkfdseparators.com

MODEL NO.

SD-96

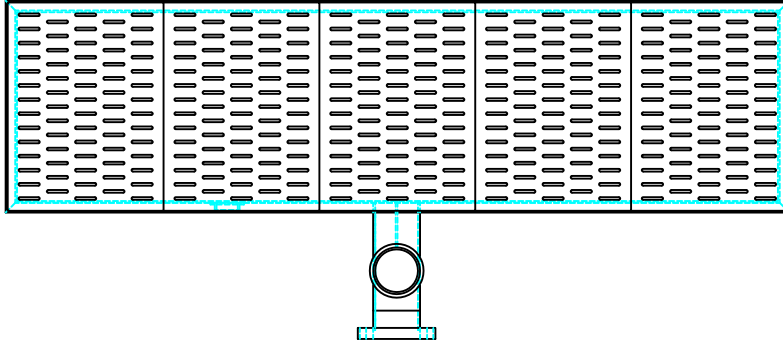
SEDIMENT SEPARATOR DRAIN

DRAWN BY

QUOTE #

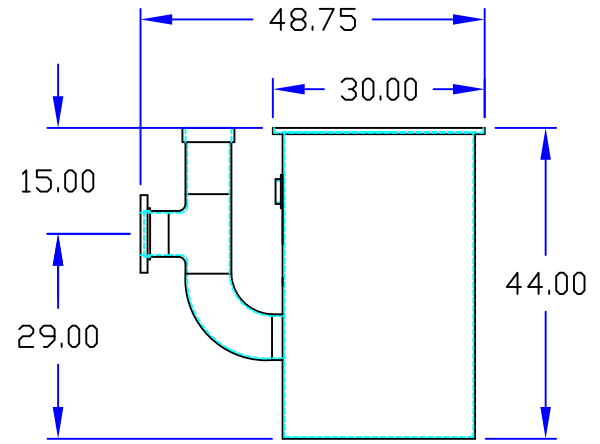
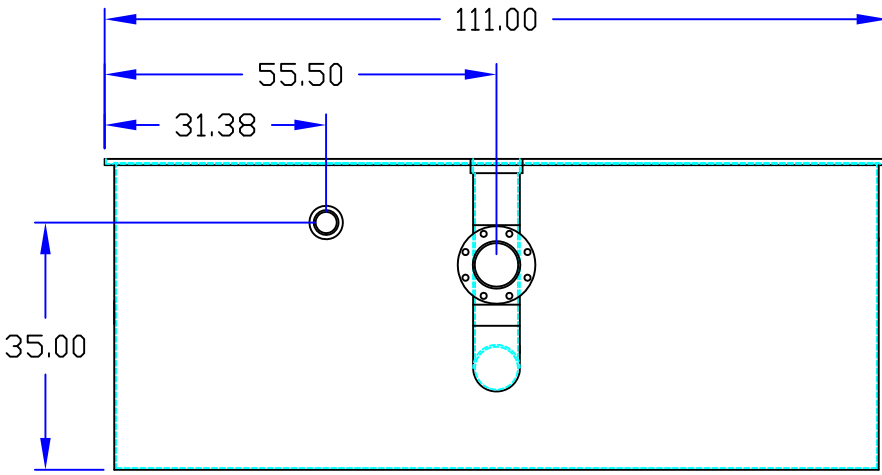
JOB NAME

W.R.W.



OPTIONAL FEATURES (ADDITIONAL COST)

- ANCHOR FLANGE
- EPOXY COATING
- LIGHT TRAFFIC REINFORCED COVERS
- HEAVY TRAFFIC REINFORCED COVERS
- STAINLESS STEEL CONSTRUCTION
- INTEGRAL EXTENSION _____ INCHES
- INLET & OUTLET SIZE _____ INCHES
- FILTER MEDIUM
- ANODES
- HOLD DOWN PADS



VENT

OUTLET

Specifications

Rockford Model SD-96 Oil/Water Separator all welded A36 1/4" steel, 330 gallon static capacity, 6.00" Companion flanged outlet, 3.00" threaded vent connection, visible double-wall outside trap seal, removable filter screen and separator screen, 3/8" slotted cover (for flush-with-floor installation) for pedestrian traffic, OPEX SHOP COAT coating inside & bituminous coating outside.

Optional features (Additional cost) listed above

Approved By

Company

Date