



Rockford Sanitary Systems, Inc.

ROCKFORD, IL 61125-0963

(815) 229-5077 - (800) 747-5077 - FAX (815) 229-5108

WEB SITE-www.rkfdseparators.com E MAIL-rssem@rkfdseparators.com

MODEL NO.

SD-25

SEDIMENT SEPARATOR DRAIN

DRAWN BY

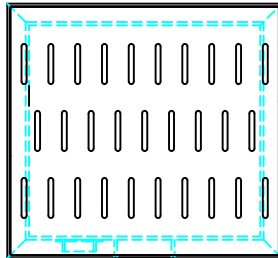
QUOTE #

JOB NAME

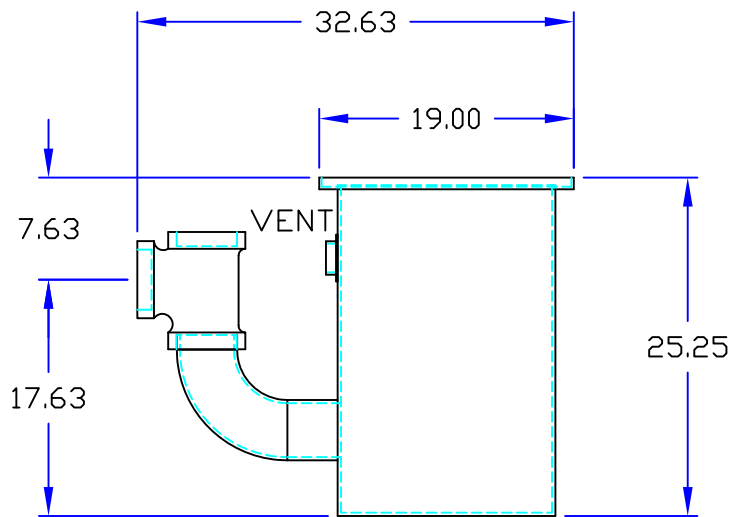
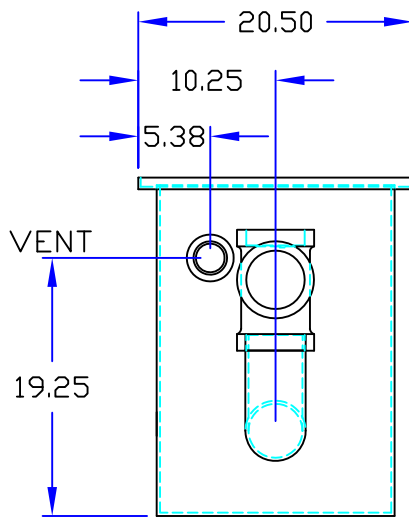
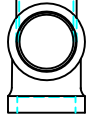
W.R.W.

OPTIONAL FEATURES (ADDITIONAL COST)

- ANCHOR FLANGE
- EPOXY COATING
- LIGHT TRAFFIC REINFORCED COVERS
- HEAVY TRAFFIC REINFORCED COVERS
- STAINLESS STEEL CONSTRUCTION
- INTEGRAL EXTENSION \_\_\_\_\_ INCHES
- INLET & OUTLET SIZE \_\_\_\_\_ INCHES
- AUXILIARY INLET TAPPING



VENT



## Specifications

Rockford Model SD-25 Separator Drain all welded A36 1/4" steel, 22 gallon liquid holding capacity, 4.00" threaded outlet, 2.00" threaded vent connection, visible double-wall outside trap seal, removable filter screen and separator screen, slotted (.38 x 3.00) inlet grate (for flush-with-floor installation) for pedestrian traffic, OPEX SHOP COAT coating inside & bituminous coating outside.

Optional features (Additional cost) listed above

Approved By

Company

Date