



Rockford Sanitary Systems, Inc.

ROCKFORD, IL 61125-0963

(815) 229-5077 - (800) 747-5077 - FAX (815) 229-5108

WEB SITE-www.rkfdseparators.com E MAIL-rssem@rkfdseparators.com

MODEL NO.

SD-40

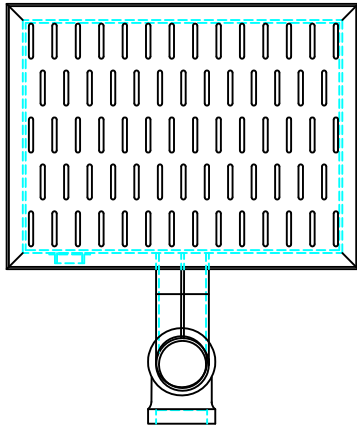
SEDIMENT SEPARATOR DRAIN

DRAWN BY

QUOTE #

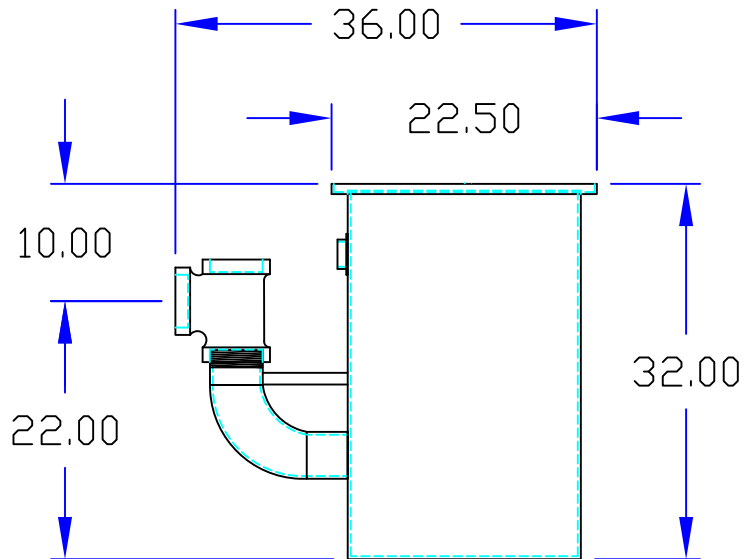
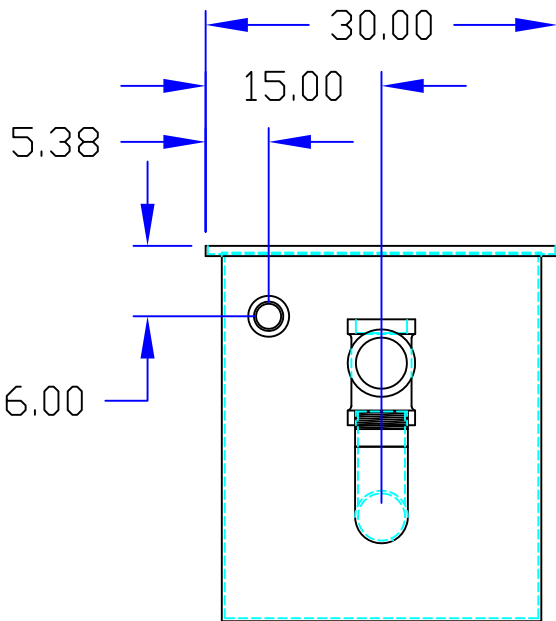
JOB NAME

W.R.W.



OPTIONAL FEATURES (ADDITIONAL COST)

- ANCHOR FLANGE
- EPOXY COATING
- LIGHT TRAFFIC REINFORCED COVERS
- HEAVY TRAFFIC REINFORCED COVERS
- STAINLESS STEEL CONSTRUCTION
- INTEGRAL EXTENSION _____ INCHES
- INLET & OUTLET SIZE _____ INCHES
- AUXILIARY INLET TAPPING



Specifications

Rockford Model SD-40 Separator Drain all welded A36 1/4" steel, 55 gallon liquid holding capacity, 4.00" threaded outlet, 2.00" threaded vent connection, visible double-wall outside trap seal, removable filter screen and separator screen, slotted (.38 x 3.00) inlet grate (for flush-with-floor installation) for pedestrian traffic, OPEX SHOP COAT coating inside & bituminous coating outside.

Optional features (Additional cost) listed above

Approved By

Company

Date