



**Performance
and Quality!**

Regular and thorough cleaning of your separator assures maximum operating efficiency. Here's what you need to know:

When to Clean Your Separator

It is time to clean your Rockford Separator when you notice a gradual slow down of the fixtures that are draining to the separator. With normal use, you should be able to establish a cleaning cycle. Whether once a week, or once a month. A thorough and regular cleaning each time will assure maximum operating efficiency, and will extend the life of your separator.

Rockford does not recommend adding enzymes or other short circuiting products to a grease interceptor.

How to Clean Your Separator

1. Run cold water for a few minutes to congeal the grease. Turn off water.
2. Loosen or remove the cover attachment bolts. Remove cover.
3. Scoop out all floating grease.
4. Remove the filter screen and or separator screen.
5. With the parts removed, scoop out all grease and heavy solids from the entire separator, including scraping the grease from the walls and internal parts.
6. Replace all parts. Call Rockford if your separator parts are in need of replacement. All parts are usually in stock and can be shipped UPS.
7. Run enough water to the separator, to restore the trap seal.
8. Before replacing the cover, inspect the gasket. Rockford always has replacement gasket in stock.
9. Install cover, making sure all bolts are tightened evenly.

How to Replace a Gasket

1. Remove all gasket, from the underside of the cover and or from the top lip of the separator. Once removed and surface is clean, cut the new gasket to approx. a .50" longer than needed.

G Units: On-Floor

G-Unit gasket. Has no adhesive, but fits tightly in a channel that is welded to the underside of the cover. Making sure that all corners fill in tightly.

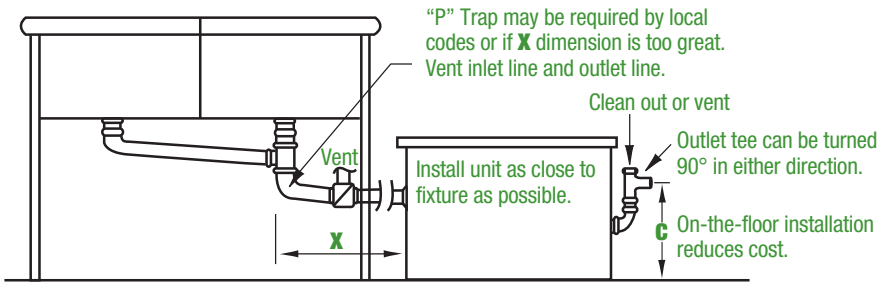
GF Units: Flush with Floor

The gasket has a self adhesive on one side. The adhesive side goes on the separators top lip. Making sure to fill in corners tightly. Where the bolts come through the cover, you may pierce a hole in the gasket, using a .50 hole punch, or similar type tool.



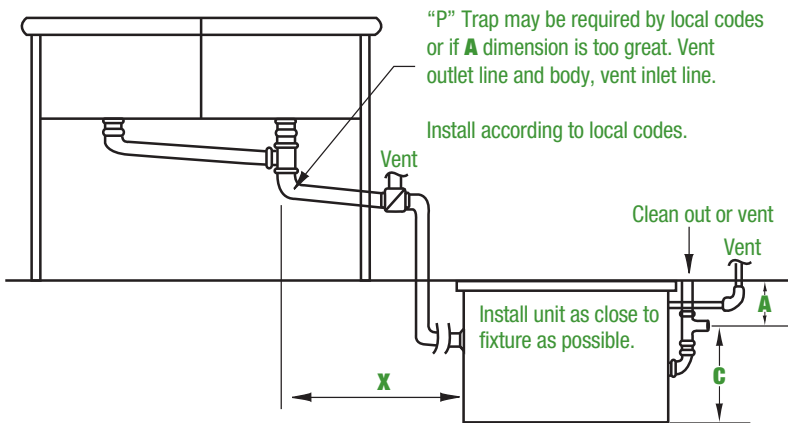
1. This installation sheet covers both G-units for on the floor installation, as well as GF-units for flush with the floor installations.
2. The proper outlet fittings are essential to the correct installation, and operation of the unit. Rockford units are not supplied with outlet fittings. Fitting kits in either cast iron or PVC, may be ordered with the unit (at additional cost). The plumbing installer may furnish own outlet fittings as long as dimension "C" is held, and not exceeded.
3. Always allow sufficient room above the unit for cleaning maintenance.
4. Connect the inlet and outlet, and vent per the local plumbing code. Rockford recommends installing the separator as close as possible to the fixture.
5. The Rockford G/GF units do not require an external flow control.

On-the-floor installation – G Series



"C" Dimensions must be held!

Flush-with-floor installation – GF & GFE Series with body vent



Dimension **A** must be specified at time or order. If not, bolt on extensions are available to meet your requirements.

Minimum clearance needed above unit for maintenance		"C" dimension from bottom of unit to center of outlet
G/GF Model#		
G-100-C	7"	7.5"
G-200-C	7"	outlet fittings not required
G-300-C	7"	7.5"
G-710	7"	7.5"
G-1012	10"	9.62"
G/GF-1412	12"	10.75"
G/GF-1815	12"	13.75"
G/GF-1820	12"	15"
G/GF-2420	12"	17.87"
G/GF-2635	12"	21"
G/GF-2824	14"	25.75"
G/GF-3050	14"	25.75"
G/GF-3224	14"	25.75"
G/GF-3475	14"	26.25"
G/GF-3628	14"	26.25"
G/GF-23-LO	8"	8.75"
G/GF-25-LO	9"	10.25"
G/GF-30-LO	9"	10.25"
G/GF-36-LO	9"	10.25"
G/GF-45-LO	9"	11"
G/GF-50-LO	9"	11"