

**Performance  
and Quality!**

**Regular and thorough cleaning of your interceptor assures maximum operating efficiency. Here's what you need to know:**

### When to Clean Your Interceptor

It is time to clean your Rockford Interceptor when you notice a gradual slow down of the fixtures that are draining to the unit. With normal use, you should be able to establish a cleaning cycle. Whether once a week, or once a month. A thorough and regular cleaning each time will assure maximum operating efficiency, and will extend the life of your interceptor.

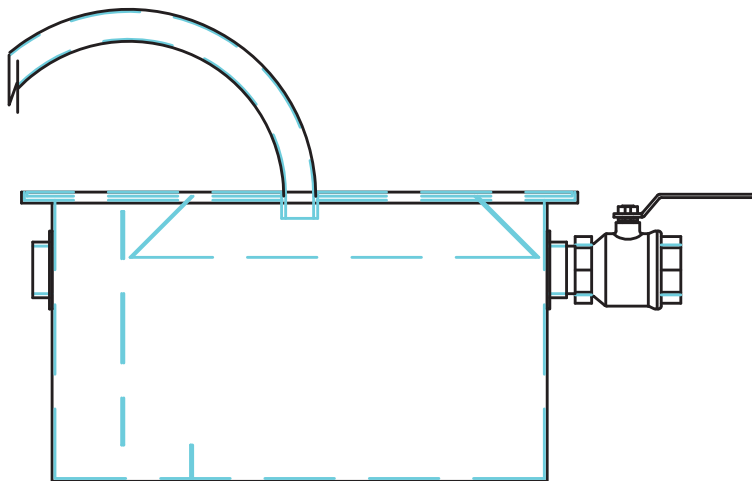
### How to Remove the Grease

1. Run hot water for a period to make sure the grease is liquid. Turn off water.
2. Remove the cover plug and assemble the grease draw off hose, to the cover.
3. Shut off the ball valve on the outlet end of the unit.
4. Slowly turn on the hot water at the sink, to force the liquid grease up and out of the hose. Make sure the grease catching container is of adequate size. The grease is gone, when water starts to flow out of the hose. Open the outlet valve.
5. Remove the hose assembly and replace the cover plug.
6. **DO NOT DISPOSE OF GREASE INTO THE SEWER.**

A periodic thorough cleaning of the entire unit must be part of the maintenance schedule. Greasy solids will accumulate on the bottom and sides of the unit, that must be removed. **DO NOT DISPOSE OF GREASE INTO THE SEWER.**

### How to Replace the Gasket

1. Remove all gasket material from the top lip of the unit. Once removed and surface is clean, cut the new gasket to approx. a .50" longer than needed. Place the self adhesive side towards the units top lip. Start by placing the gasket in the corners, and working from the center out to the corners. Making sure the corners fill in tightly.





1. The RPD Interceptor should be installed as close as possible to the fixture being serviced, and requires ample space around the unit for cleaning maintenance. All fittings are provided with the unit, including a plug for the cover along with the hose connections for the grease draw off hood. The brass ball valve should be installed directly to the outlet end of the unit.
2. A provided flow control device must be installed as close as possible to the fixture (NOT the interceptor). Install so that the orifice plate is upstream of the vent/air intake. The air intake should be tied into the vent system.
3. Rockford recommends installing a clean-out tee upstream of the flow control to aid in clearing any blockages.
4. Install the P-Trap upstream of the interceptor.
5. The outlet piping should match that of the interceptor. Vent the outlet pipe, so the interceptor is not siphoned.
6. The static water level in the unit is a line between the bottom of the inlet to the bottom of the outlet.
7. Solid wastes should not go to the interceptor. Solids should be caught in the sink strainer, or by a separate solids interceptor prior to the grease interceptor. If there is a problem with blockages due to solids, either at the flow control, and or the interceptor, a solids interceptor must be installed. Call Rockford for your solids interceptor needs. Most sizes are in stock.

