



Rockford Sanitary Systems, Inc.

ROCKFORD, IL 61125-0963

(815) 229-5077 - (800) 747-5077 - FAX (815) 229-5108

WEB SITE-www.rkfdseparators.com E MAIL-rssem@rkfdseparators.com

MODEL NO. RCB-240

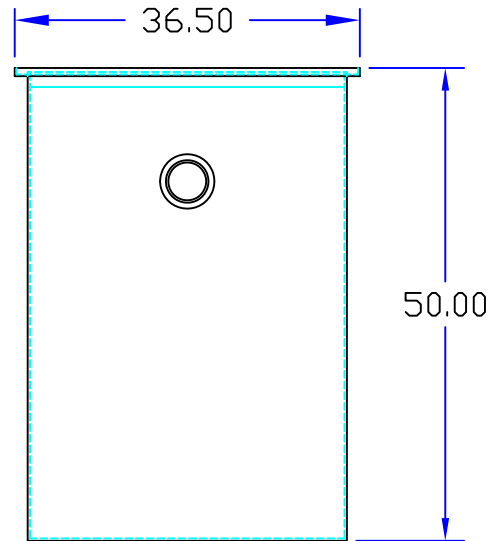
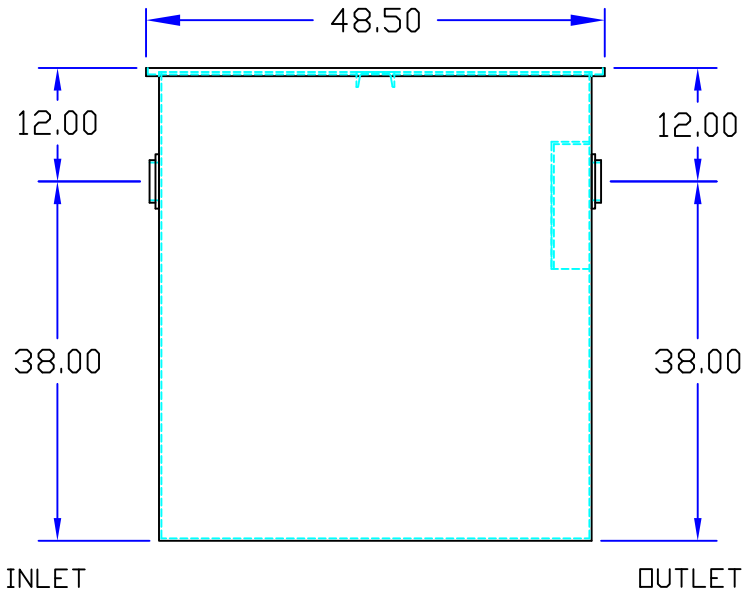
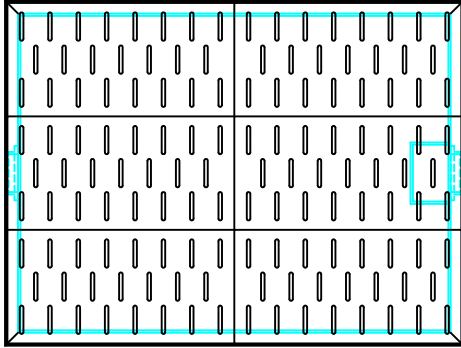
CATCH BASIN/SAND INTERCEPTOR

DRAWN BY QUOTE #
W.R.W.

JOB NAME

OPTIONAL FEATURES (ADDITIONAL COST)

- ANCHOR FLANGE
- EPOXY COATING
- REINFORCED COVER
- STAINLESS STEEL CONSTRUCTION
- INTEGRAL EXTENSION _____ INCHES
- ALTERNATE INLET & OUTLET SIZE _____ INCHES
- SOLID COVER



Specifications

Rockford Model RCB-240 catch basin/sand Interceptor all welded A36 1/4" steel, 240 gallon static capacity, 4.00" Threaded inlet/outlet with outlet trap seal (6) 3/8" slotted grates (flush with-floor-installation) for pedestrian traffic, DPEX SHOP COAT coating inside & bituminous coating outside.

Optional features (Additional cost) listed above

Approved By

Company

Date