



Rockford Sanitary Systems, Inc.

ROCKFORD, IL 61125-0963

(815) 229-5077 - (800) 747-5077 - FAX (815) 229-5108

WEB SITE-www.rkfdseparators.com E MAIL-rssem@rkfdseparators.com

MODEL NO.

RGI-350

GREASE INTERCEPTOR

DRAWN BY

QUOTE #

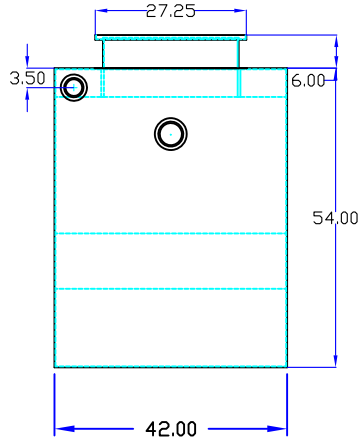
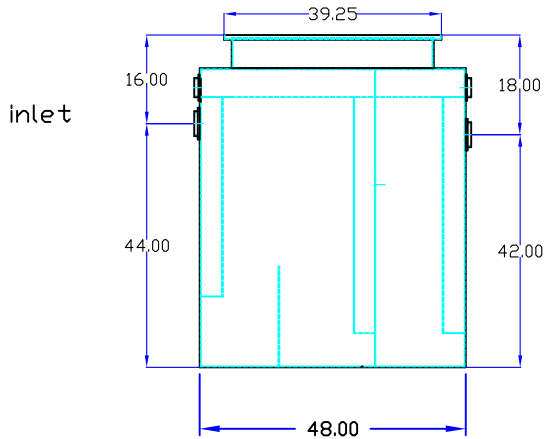
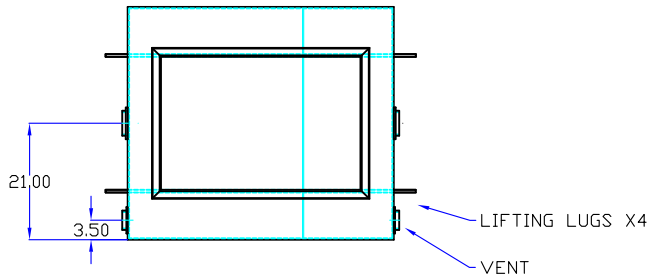
JOB NAME

W.R.W.

Note; Standard unit shown with 6" riser. Manway height can be made to customers specified requirements.

OPTIONAL FEATURES (ADDITIONAL COST)

- EPOXY COATING
- STAINLESS STEEL CONSTRUCTION
- MANWAY HEIGHT REQUIRED _____
- INLET & OUTLET SIZE _____ INCHES
- ALUMINUM COVER
- ANCHOR FLANGE
- HOLD DOWN PADS



Specifications

Rockford Model RGI-350 all welded steel gravity grease interceptor, with 350 gallon capacity, 1764 LBS greasy sludge capacity, 4" threaded inlet/outlet and 3" vent connections, removable 3/8" nonskid treadplate cover for flush with grade installation suitable for heavy traffic load (H/20), secured with stainless steel flat head screws, heavy duty leak-proof gasket, with bituminous coating outside. Supplied with lifting lugs X4. Approx. ship weight of 1200 Lbs.

Optional features (Additional cost) listed above

Approved By

Company

Date