



Rockford Sanitary Systems, Inc.

ROCKFORD, IL 61125-0963

(815) 229-5077 - (800) 747-5077 - FAX (815) 229-5108

WEB SITE-www.rkfdseparators.com E MAIL-rssem@rkfdseparators.com

MODEL NO. RGI-500

GREASE INTERCEPTOR

DRAWN BY

QUOTE #

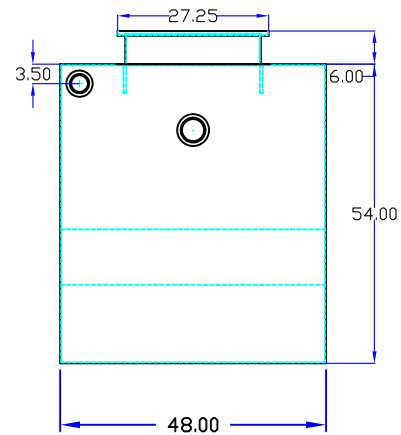
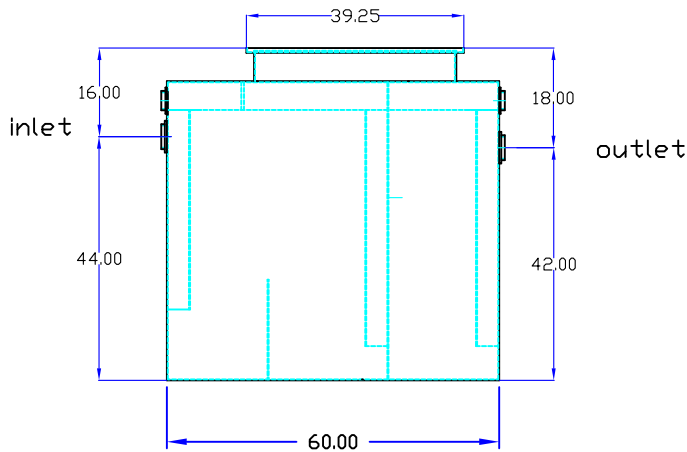
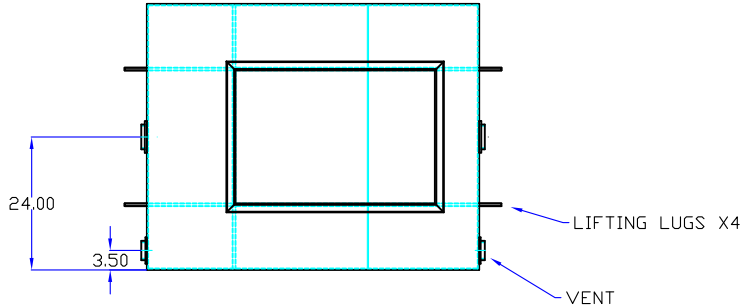
JOB NAME

W.R.W.

OPTIONAL FEATURES (ADDITIONAL COST)

Note; Standard unit shown with 6" riser. Manway height can be made to customers specified requirements.

- EPOXY COATING
- STAINLESS STEEL CONSTRUCTION
- MANWAY HEIGHT REQUIRED \_\_\_\_\_
- INLET & OUTLET SIZE \_\_\_\_\_ INCHES
- ALUMINUM COVER
- ANCHOR FLANGE
- HOLD DOWN PADS



### Specifications

Rockford Model RGI-500 all welded steel gravity grease interceptor, with 500 gallon capacity, 2520 LBS greasy sludge capacity, 4" threaded inlet/outlet and 3" vent connections, removable 3/8" nonskid treadplate cover for flush with grade installation suitable for heavy traffic load (H/20), secured with stainless steel flat head screws, heavy duty leak-proof gasket, with bituminous coating outside. Supplied with lifting lugs X4. Approx. ship weight of 1450 Lbs.

Optional features (Additional cost) listed above

Approved By

Company

Date