



Rockford Sanitary Systems, Inc.

ROCKFORD, IL 61125-0963

(815) 229-5077 - (800) 747-5077 - FAX (815) 229-5108

WEB SITE-www.rkfdseparators.com E MAIL-rssem@rkfdseparators.com

MODEL NO. RLSW-70

LINT INTERCEPTOR

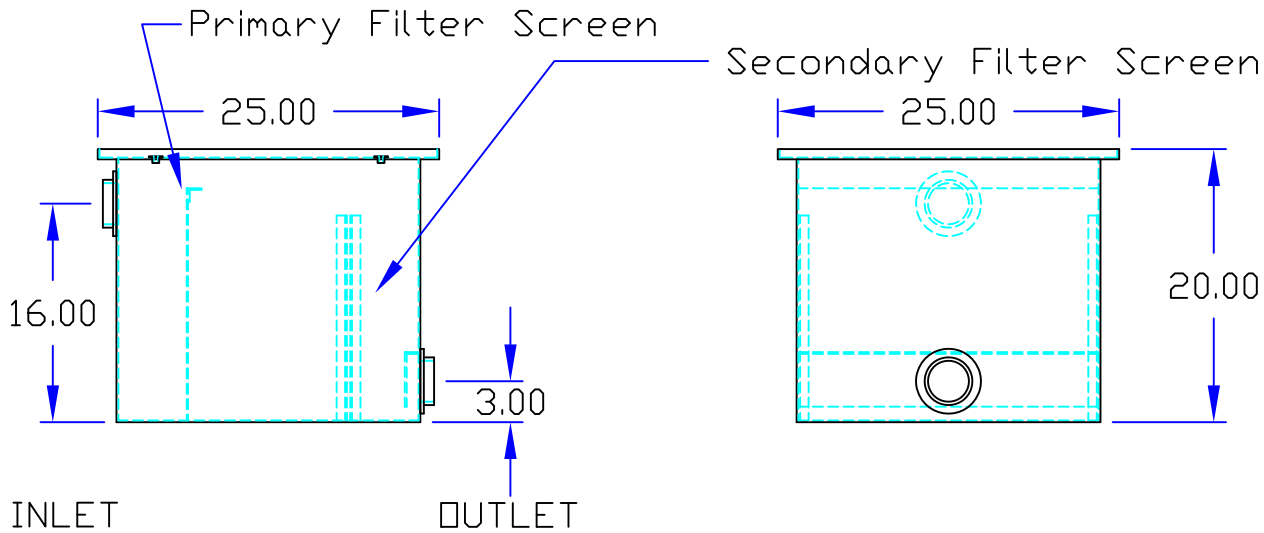
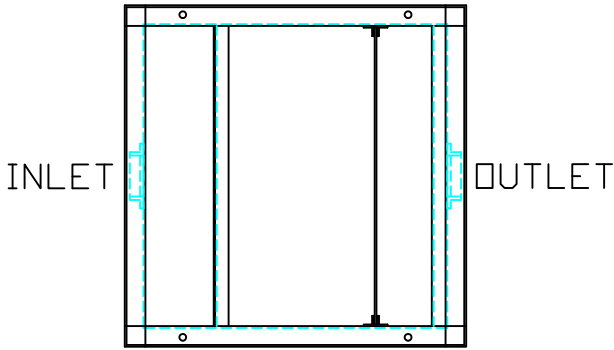
DRAWN BY
W.R.W.

QUOTE #

JOB NAME

OPTIONAL FEATURES (ADDITIONAL COST)

- ANCHOR FLANGE
- CLAMP RING
- RECESSED LIFT HANDLES IN COVERS
- EPOXY COATING
- ANODES
- REINFORCED COVER
- STAINLESS STEEL CONSTRUCTION
- INTEGRAL EXTENSION _____ INCHES
- ALUMINUM COVER



Specifications

Rockford Model RLSW-70 all welded 10 Ga. steel separator, with 3.00" tapped inlet/outlet, easily removeable filter for cleaning, removable 3/16" nonskid diamond treadplate cover for flush with floor installation suitable for pedestrian traffic secured with stainless flat head screws, heavy duty leak-proof gasket, enamel coating inside and outside.

Optional features (Additional cost) listed above

Approved By

Company

Date