



Rockford Sanitary Systems, Inc.

ROCKFORD, IL 61125-0963

(815) 229-5077 - (800) 747-5077 - FAX (815) 229-5108

WEB SITE-www.rkfdseparators.com E MAIL-rssem@rkfdseparators.com

MODEL NO. RP-10-SS

GREASE INTERCEPTOR

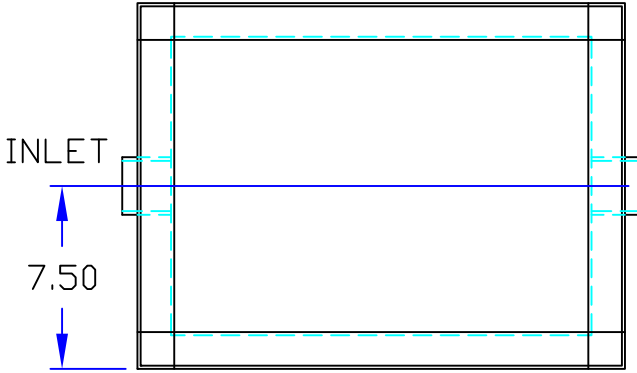
DRAWN BY

QUOTE #

JOB NAME

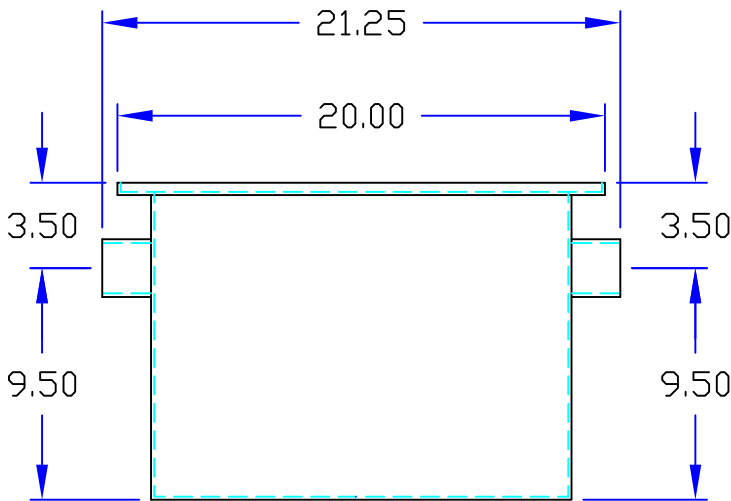
W.R.W.

OPTIONAL FEATURES (ADDITIONAL COST)



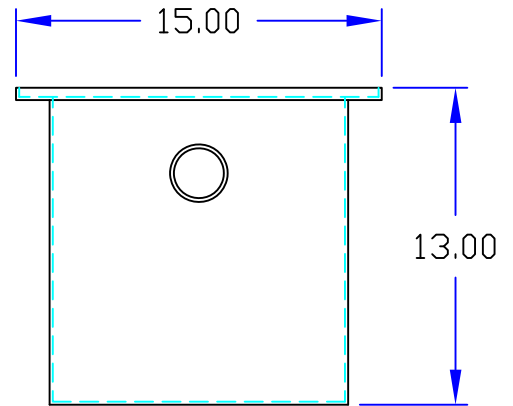
OUTLET

- ANCHOR FLANGE
- EPOXY COATING
- INTEGRAL EXTENSION \_\_\_\_\_ INCHES
- INLET & OUTLET SIZE \_\_\_\_\_ INCHES
- ALUMINUM COVER
- THREADED CONNECTIONS



INLET

OUTLET



Specifications

Rockford Model RP-10 all welded stainless interceptor, for on the floor or flush with the floor installation, 10 g.p.m. intermittent flow, 20 lbs. grease capacity, 2.00" no-hub inlet and outlet connections and flow control device, removable 3/16" nonskid diamond treadplate cover for on the floor or flush with floor installation suitable for pedestrian traffic, secured with stainless steel flat head screws, heavy duty leak-proof gasket

Optional features (Additional cost) listed above



Approved By

Company

Date