



Rockford Sanitary Systems, Inc.

ROCKFORD, IL 61125-0963

(815) 229-5077 - (800) 747-5077 - FAX (815) 229-5108

WEB SITE-www.rkfdseparators.com E MAIL-rssem@rkfdseparators.com

MODEL NO. RP-75SS

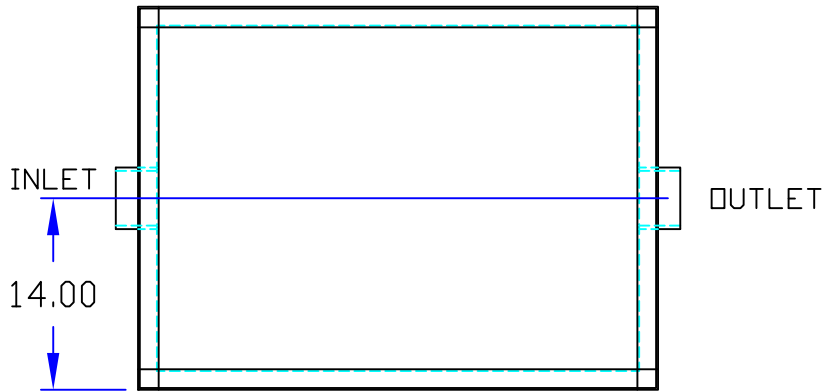
GREASE INTERCEPTOR

DRAWN BY

QUOTE #

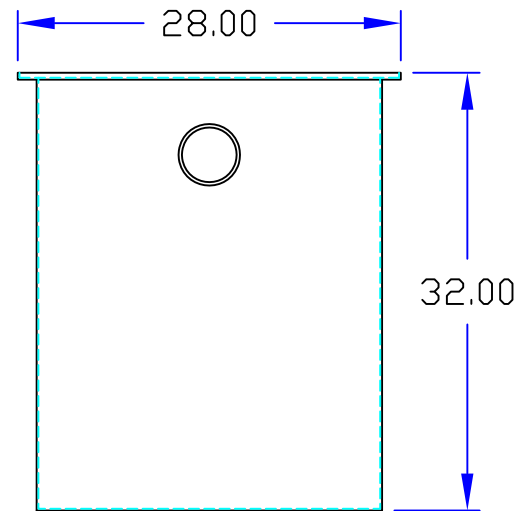
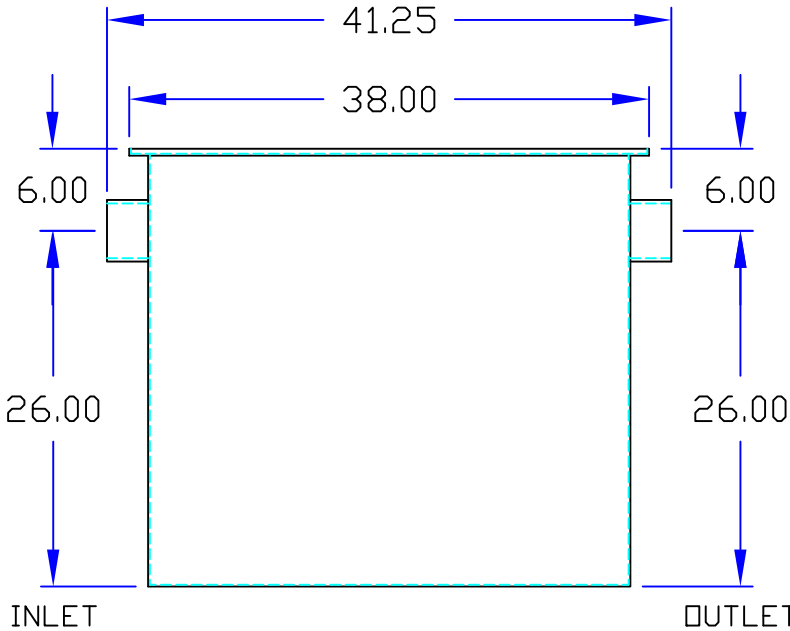
JOB NAME

W.R.W.



OPTIONAL FEATURES (ADDITIONAL COST)

THREADED CONNECTIONS



## Specifications

Rockford Model RP-75SS all welded stainless steel interceptor, with 75 gpm intermittent flow, 451 lbs. grease capacity, 4.00" no-hub inlet and outlet connections and flow control device, removable 3/16" nonskid diamond tread-plate cover for on the floor or flush with floor installation suitable for pedestrian traffic, secured with stainless steel flat head screws, heavy duty leak-proof gasket.



Approved By

Company

Date