



Rockford Sanitary Systems, Inc.

ROCKFORD, IL 61125-0963

(815) 229-5077 - (800) 747-5077 - FAX (815) 229-5108

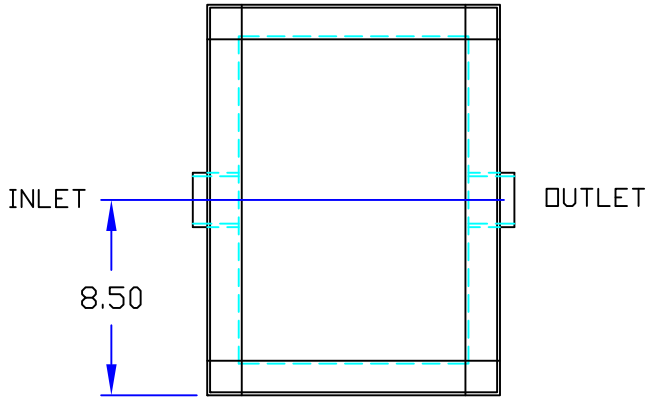
WEB SITE-www.rkfdseparators.com E MAIL-rssem@rkfdseparators.com

MODEL NO. RPS-15

SOLIDS INTERCEPTOR

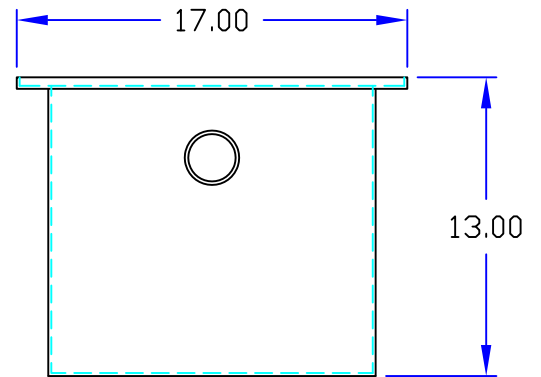
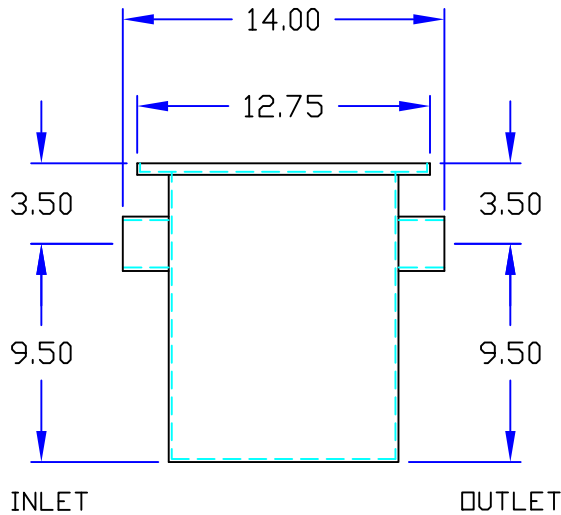
DRAWN BY QUOTE #
W.R.W.

JOB NAME



OPTIONAL FEATURES (ADDITIONAL COST)

- ANCHOR FLANGE
- EPOXY COATING
- STAINLESS STEEL CONSTRUCTION
- INTEGRAL EXTENSION _____ INCHES
- INLET & OUTLET SIZE _____ INCHES
- ALUMINUM COVER
- THREADED CONNECTIONS



Specifications

Rockford Model RPS-15 all welded steel solids interceptor, for on the floor or flush with the floor installation, 15 g.p.m. intermittent flow, 200" no hub inlet and outlet connections, removable 3/16" nonskid diamond threadplate cover for on the floor or flush with floor installation suitable for pedestrian traffic, secured with stainless steel flat head screws, heavy duty leak-proof gasket, enamel coating inside and outside.

Optional features (Additional cost) listed above

Approved By

Company

Date