



Rockford Sanitary Systems, Inc.

ROCKFORD, IL 61125-0963

(815) 229-5077 - (800) 747-5077 - FAX (815) 229-5108

WEB SITE-www.rkfdseparators.com E MAIL-rssem@rkfdseparators.com

MODEL NO. G-200-C

GREASE SEPARATOR

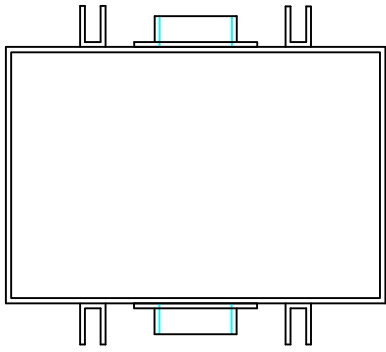
DRAWN BY

QUOTE #

JOB NAME

W.R.W.

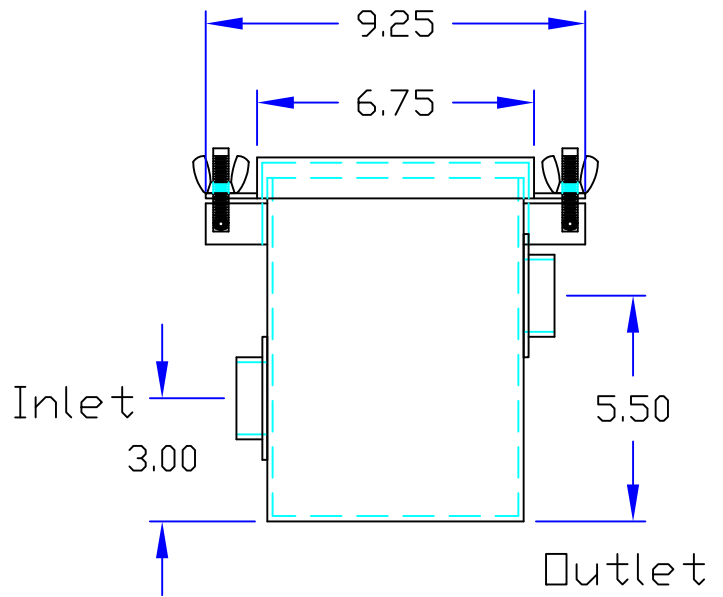
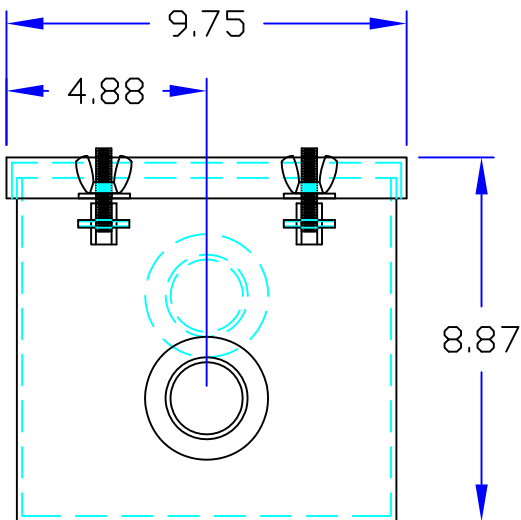
Outlet



Inlet

OPTIONAL FEATURES (ADDITIONAL COST)

- EPOXY COATING
- STAINLESS STEEL CONSTRUCTION
- SEDIMENT BASKET FILTER MEDIA
- DRAW OFF VALVE
- ALTERNATE INLET & OUTLET SIZE ____ INCHES



Specifications

Rockford Model G-200-C all welded 10 Ga. steel separator, 1 gallon static capacity, 04 g.p.m. intermittent flow, 1.50" tapped inlet and outlet connection, 00 lbs. greasy sludge capacity, easily removable filter screen, gasketed cover hand tightened to body with safety-catch bolt assemblies, enamel coated inside and outside.



Optional features (Additional cost) listed above

Approved By

Company

Date