



Rockford Sanitary Systems, Inc.

ROCKFORD, IL 61125-0963

(815) 229-5077 - (800) 747-5077 - FAX (815) 229-5108

WEB SITE-www.rkfdseparators.com E MAIL-rssem@rkfdseparators.com

MODEL NO. G-3475-M

GREASE SEPARATOR

DRAWN BY

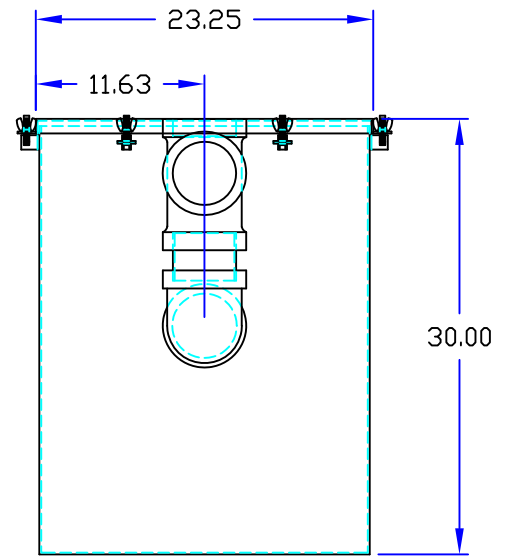
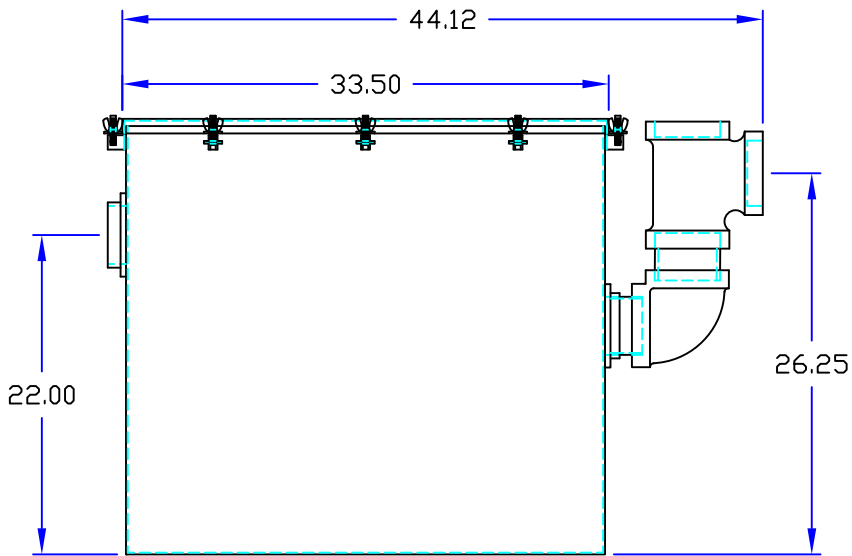
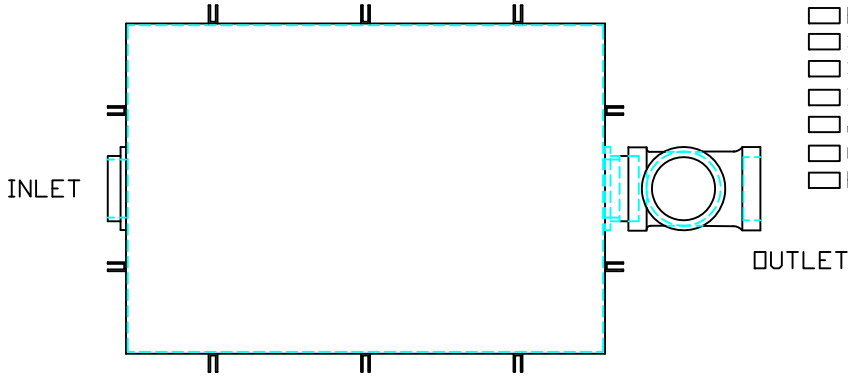
QUOTE #

JOB NAME

W.R.W.

OPTIONAL FEATURES (ADDITIONAL COST)

- EPOXY COATING
- STAINLESS STEEL CONSTRUCTION
- SEDIMENT BASKET
- FILTER MEDIA
- DRAW OFF VALVE
- ALTERNATE INLET & OUTLET SIZE ____ INCHES
- CAST IRON OUTLET FITTINGS
- PVC OUTLET FITTINGS



Specifications

Rockford Model G-3475-M all welded 10 Ga. steel separator, 80 gallon static capacity, 75 g.p.m. intermittent flow, 4.00" tapped inlet and outlet connection, 403 lbs. greasy sludge capacity, visible double-wall outside trap seal, easily removable filter screen gasketed cover hand-tightened to body with safety-catch bolt assemblies, enamel coated inside and outside.

Optional features (Additional cost) listed above



Approved By

Company

Date