



# ROCKFORD SEPARATORS

5159 28th Ave ROCKFORD, IL 61109  
 (815) 229-5077 - FAX (815) 229-5108  
 www.rkfdseparators.com - rssem@rkfdseparators.com

**MODEL NO. GIS-100**

**GREASE SEPARATOR**

**DRAWN BY R.P.P.**

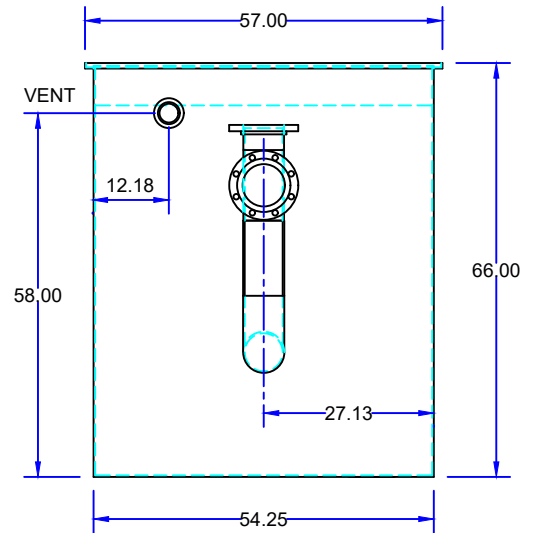
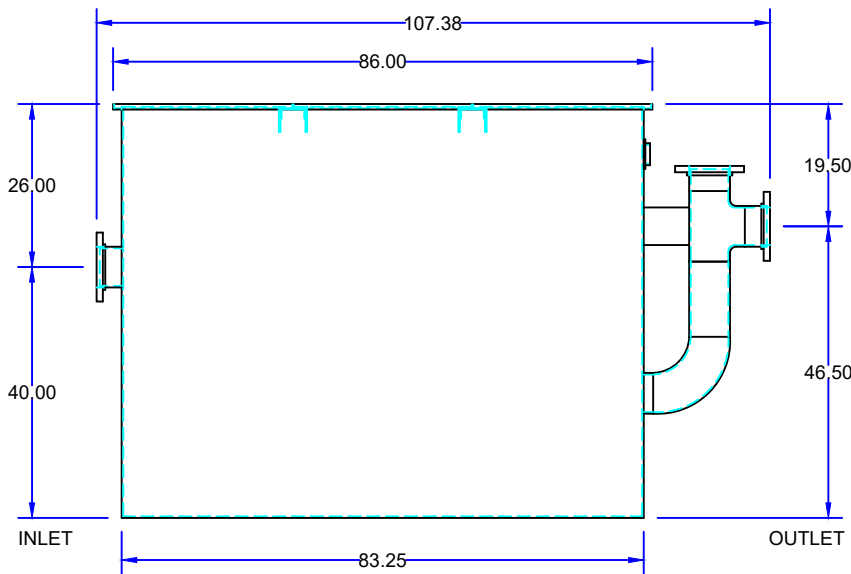
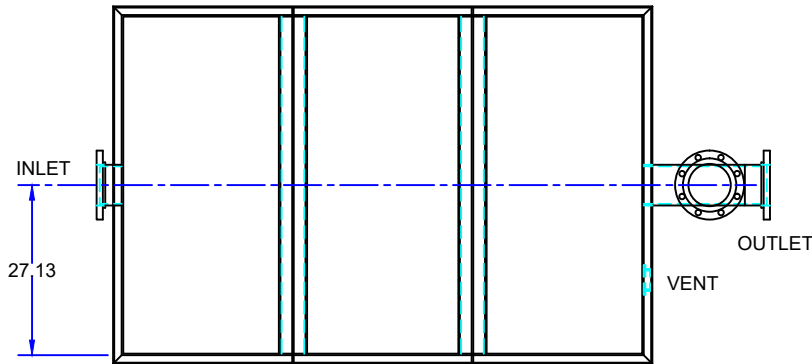
**QUOTE#:**

**DATE: 03/05/24**

**JOB NAME:**

OPTIONAL FEATURES (ADDITIONAL COST)

- ANCHOR FLANGE  CLAMP RING
- RECESSED LIFT HANDLES IN COVERS
- EPOXY COATING  ANODES
- REINFORCED COVER \_\_\_\_\_ LOAD
- STAINLESS STEEL CONSTRUCTION
- SEDIMENT BASKET  FILTER MEDIA
- INTEGRAL EXTENSION \_\_\_\_\_ INCHES
- ALUMINUM COVER
- ALTERNATE INLET & OUTLET SIZE \_\_\_\_\_ INCHES
- ALTERNATE VENT CONNECTION SIZE \_\_\_\_\_ INCHES
- DOUBLE WALL CONSTRUCTION
- LEAK DETECTION
- HOLD DOWN PADS



## SPECIFICATIONS

Rockford Model GIS-100 all welded 1/4" steel separator, 800 gallon static capacity, 500 g.p.m. intermittent flow, 6.00" companion flange inlet/outlet with 3.00" tapped internal vent connection, 4032 lbs greasy sludge capacity, visible double-wall outside trap seal, separator plate and removable filter screen, removable 3/8" nonskid diamond tread plate covers for flush with floor installation suitable for pedestrian traffic secured with stainless flat head screws, heavy duty leak-proof gasket, OPEX Shop Coat coating inside and bituminous coating outside.

**Optional features (Additional cost) listed above**

**Approved By**

**Company**

**Date**