



ROCKFORD SEPARATORS

5159 28th Ave ROCKFORD, IL 61109
 (815) 229-5077 - FAX (815) 229-5108
 www.rkfdseparators.com - rssem@rkfdseparators.com

MODEL NO. GIS-60

GREASE SEPARATOR

DRAWN BY R.P.P.

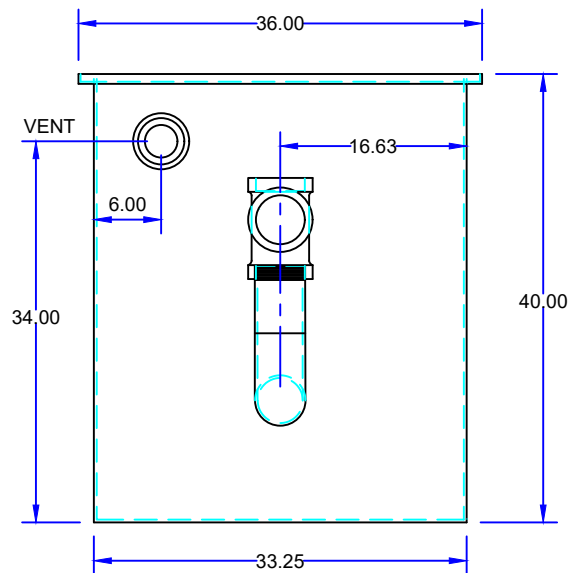
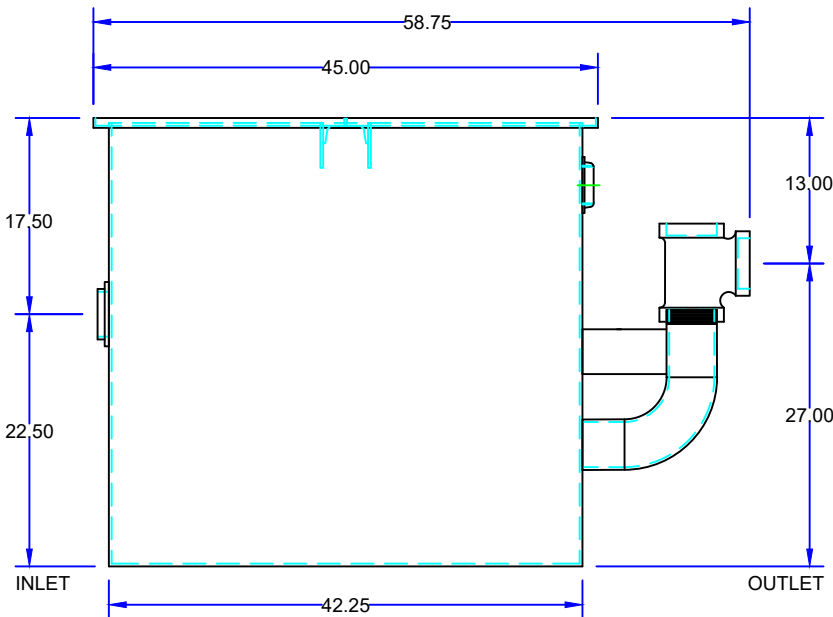
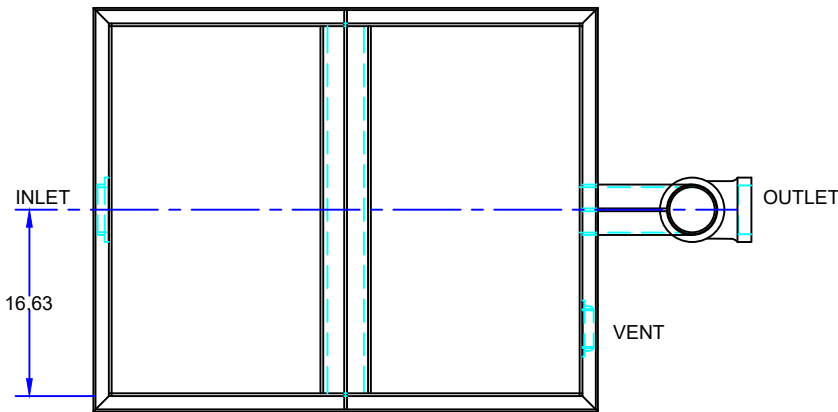
QUOTE#:

DATE: 03/05/24

JOB NAME:

OPTIONAL FEATURES (ADDITIONAL COST)

- ANCHOR FLANGE CLAMP RING
- RECESSED LIFT HANDLES IN COVERS
- EPOXY COATING ANODES
- REINFORCED COVER _____ LOAD
- STAINLESS STEEL CONSTRUCTION
- SEDIMENT BASKET FILTER MEDIA
- INTEGRAL EXTENSION _____ INCHES
- ALUMINUM COVER
- ALTERNATE INLET & OUTLET SIZE _____ INCHES
- ALTERNATE VENT CONNECTION SIZE _____ INCHES
- DOUBLE WALL CONSTRUCTION
- LEAK DETECTION
- HOLD DOWN PADS



SPECIFICATIONS

Rockford Model GIS-60 all welded 1/4" steel separator, 150 gallon static capacity, 150 gpm intermittent flow, 4.00" tapped inlet/outlet with 3.00" tapped internal vent connection, 756 lbs greasy sludge capacity, visible double-wall outside trap seal, separator plate and removable filter screen, removable 3/8" nonskid diamond tread plate covers for flush with floor installation suitable for pedestrian traffic secured with stainless flat head screws, heavy duty leak-proof gasket.

Optional features (Additional cost) listed above

Approved By

Company

Date