



ROCKFORD SEPARATORS

5159 28th Ave ROCKFORD, IL 61109
(815) 229-5077 - FAX (815) 229-5108
www.rkfdseparators.com - rssem@rkfdseparators.com

MODEL NO. GIS-75

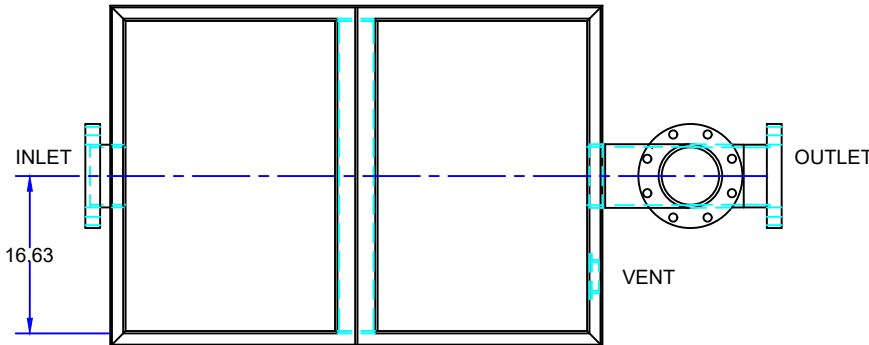
GREASE SEPARATOR

DRAWN BY R.P.P.

QUOTE#:

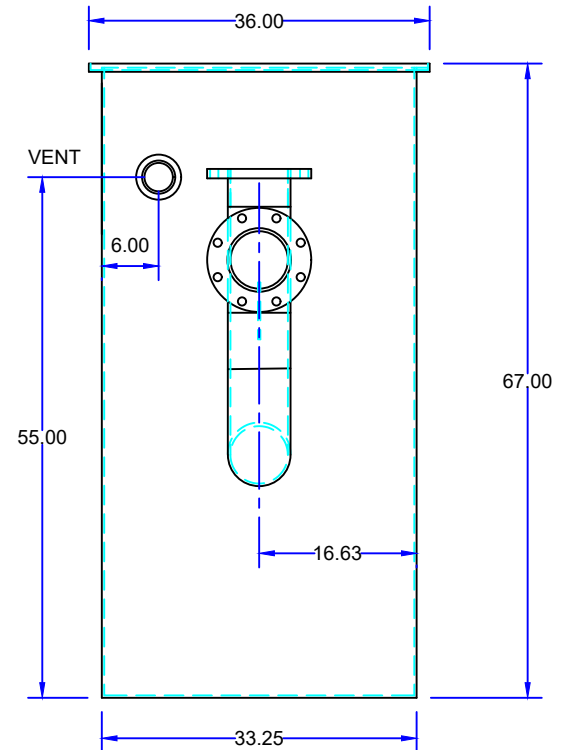
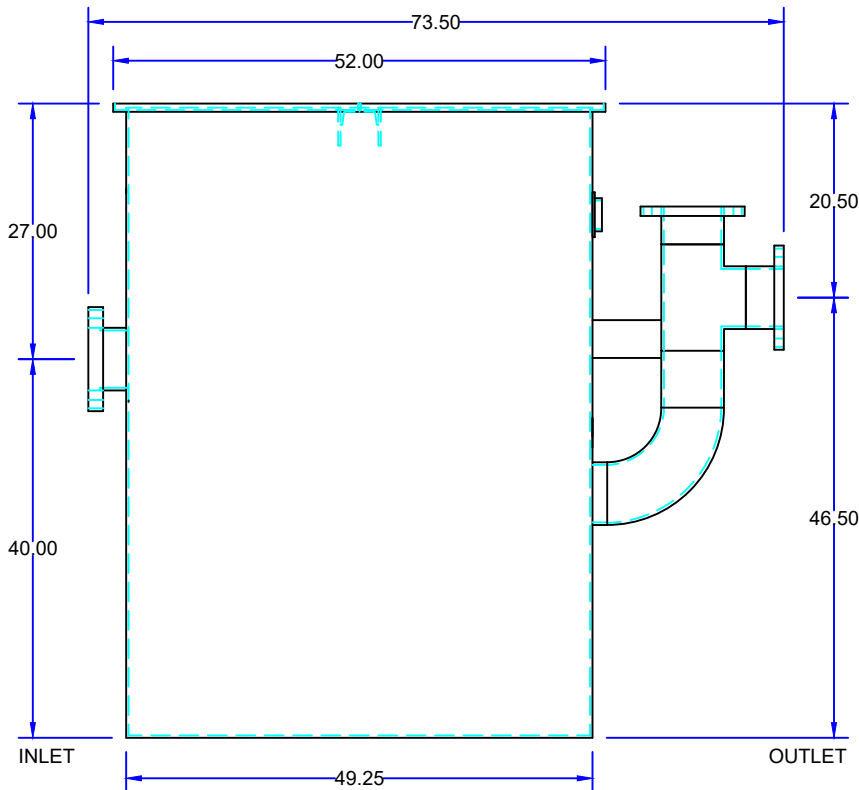
DATE: 03/05/24

JOB NAME:



OPTIONAL FEATURES (ADDITIONAL COST)

- ANCHOR FLANGE
- CLAMP RING
- RECESSED LIFT HANDLES IN COVERS
- EPOXY COATING
- ANODES
- REINFORCED COVER _____ LOAD
- STAINLESS STEEL CONSTRUCTION
- SEDIMENT BASKET
- FILTER MEDIA
- INTEGRAL EXTENSION _____ INCHES
- ALUMINUM COVER
- ALTERNATE INLET & OUTLET SIZE _____ INCHES
- ALTERNATE VENT CONNECTION SIZE _____ INCHES
- DOUBLE WALL CONSTRUCTION
- LEAK DETECTION
- HOLD DOWN PADS



SPECIFICATIONS

Rockford Model GIS-75 all welded 1/4" steel separator, 300 gallon static capacity, 225 g.p.m. intermittent flow, 6.00" companion flange inlet/outlet with 3.00" tapped internal vent connection, 1512 lbs greasy sludge capacity, visible double-wall outside trap seal, separator plate and removable filter screen, removable 3/8" nonskid diamond tread plate covers for flush with floor installation suitable for pedestrian traffic secured with stainless flat head screws, heavy duty leak-proof gasket, OPEX Shop Coat coating inside and bituminous coating outside.

Optional features (Additional cost) listed above

Approved By

Company

Date