



Rockford Sanitary Systems, Inc.

ROCKFORD, IL 61125-0963

(815) 229-5077 - (800) 747-5077 - FAX (815) 229-5108

WEB SITE-www.rkfdseparators.com E MAIL-rssem@rkfdseparators.com

MODEL NO. OSTL-5615-10

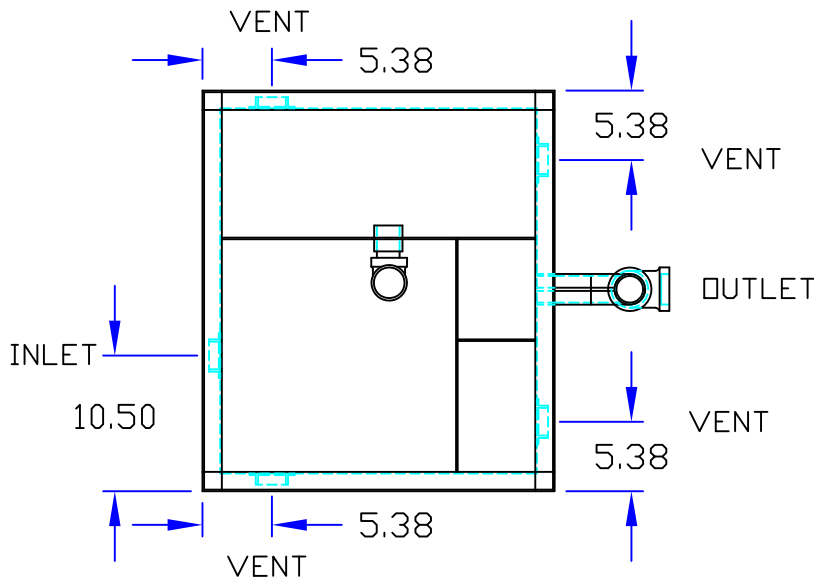
OIL/WATER SEPARATOR

DRAWN BY

QUOTE #

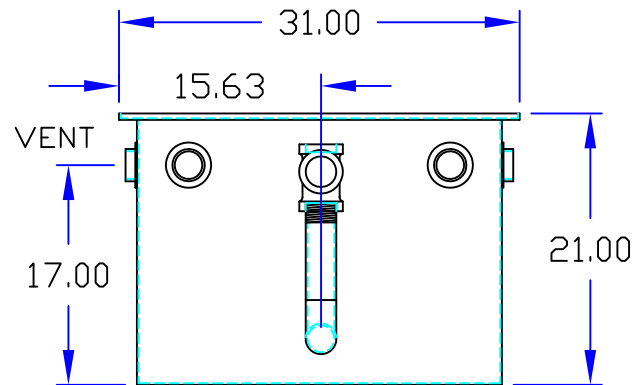
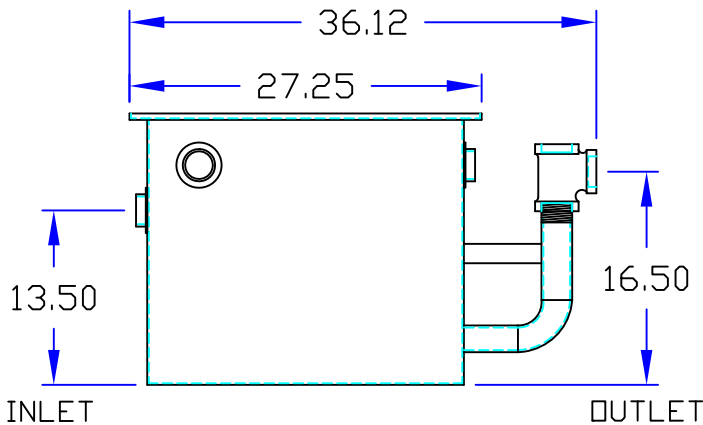
JOB NAME

W.R.W.



OPTIONAL FEATURES (ADDITIONAL COST)

- ANCHOR FLANGE
- FILTER MEDIA
- RECESSED LIFT HANDLES IN COVERS
- EPOXY COATING
- ANODES
- REINFORCED COVVERS _____ LOAD
- STAINLESS STEEL CONSTRUCTION
- SEDIMENT BASKET
- INTEGRAL EXTENSION _____ INCHES
- INLET & OUTLET SIZE _____ INCHES
- DOUBLE WALL CONSTRUCTION
- LEAK DETECTION
- HIGH LEVEL SENSOR & ALARM
- COALESCING PACK
- PUMP OUT CONNECTION
- HOLD DOWN PADS _____ PADS
- STORAGE COMPARTMENT LADDER
- ALUMINUM COVER
- NO HUB CONNECTION
- HUB INLET SPIGOT OUTLET



Specifications

ROCKFORD MODEL OSTL-5615-10 ALL WELDED STEEL SEPARATOR FOR FLUSH IN THE FLOOR INSTALLATION, 30 GALLON STATIC HOLDING CAPACITY 15 G.P.M. INTERMITTENT FLOW, 2.00" THREADED INLET/OUTLET 2.00" TAPPED VENT CONNECTIONS WITH 10 GALLON WASTE OIL STORAGE CAPACITY, VISIBLE DOUBLE-WALL OUTSIDE TRAP SEAL, NON-REMOVABLE SEPARATOR PLATES WITH EASILY REMOVABLE FILTER SCREEN, GASKETED COVER FOR PEDESTRIAN TRAFFIC SECURED WITH STAINLESS SCREWS, OPEX SHOP COAT COATING INSIDE AND BITUMINDOUS COATING OUTSIDE.

OPTIONAL FEATURES (ADDITIONAL COST) LISTED ABOVE



Approved By

Company

Date