

Rockford Separators

5159 28th Ave ROCKFORD, IL 61109

(815) 229-5077 - (800) 747-5077 - FAX (815) 229-5108

WEB SITE-www.rkfdseparators.com E MAIL-rssem@rkfdseparators.com

MODEL NO. R-POLY-150

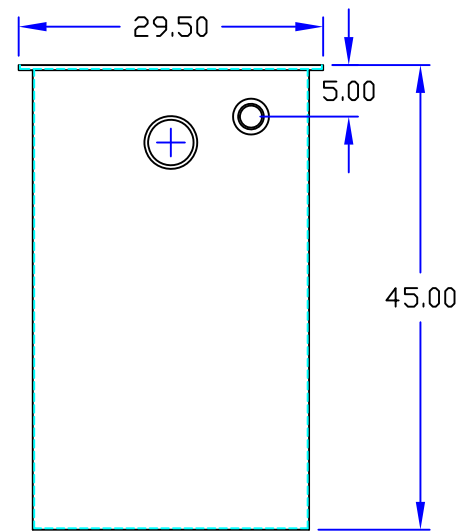
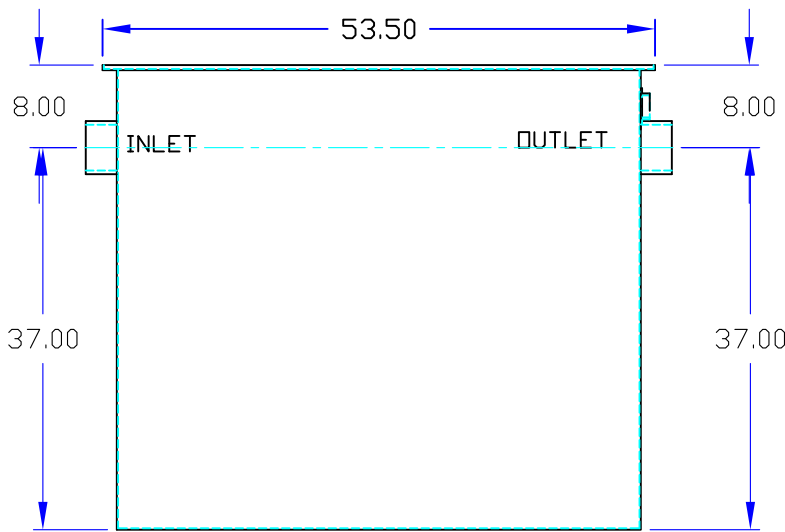
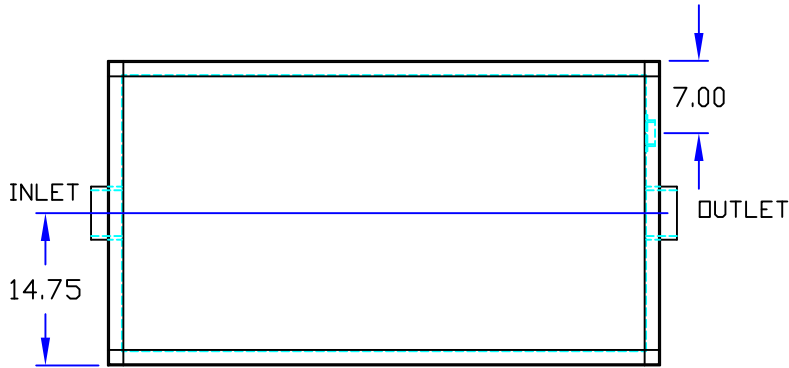
GREASE INTERCEPTOR

DRAWN BY

QUOTE #

JOB NAME

W.R.W.



Specifications

Rockford Model R-POLY-150 polyethylene grease interceptor, for on the floor or flush with floor installation, 150 gpm intermittent flow, 186 gallon static capacity, 300 lbs grease capacity, 4" glue fit in/out connections with a 2" vent connection, multiple removable polyethylene covers suitable for pedestrian traffic, secured with stainless steel screws, heavy duty leak-proof gasket

Optional features available upon request (additional cost)

Approved By

Company

Date