



ROCKFORD SEPARATORS

5159 28th Ave ROCKFORD, IL 61109
(815) 229-5077 - FAX (815) 229-5108
www.rkfdseparators.com - rssem@rkfdseparators.com

MODEL NO. R-POLY-35

GREASE INTERCEPTOR

DRAWN BY R.P.P.

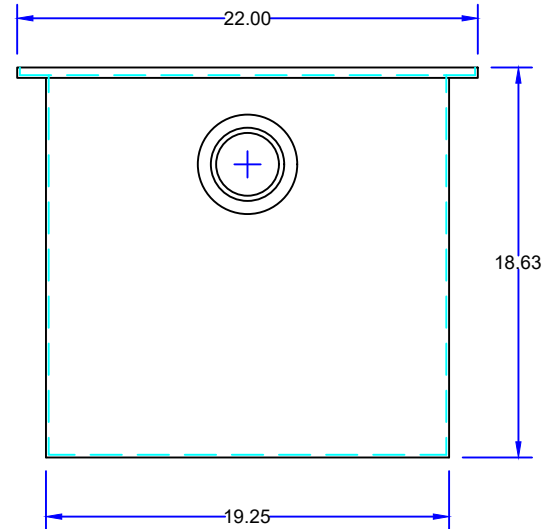
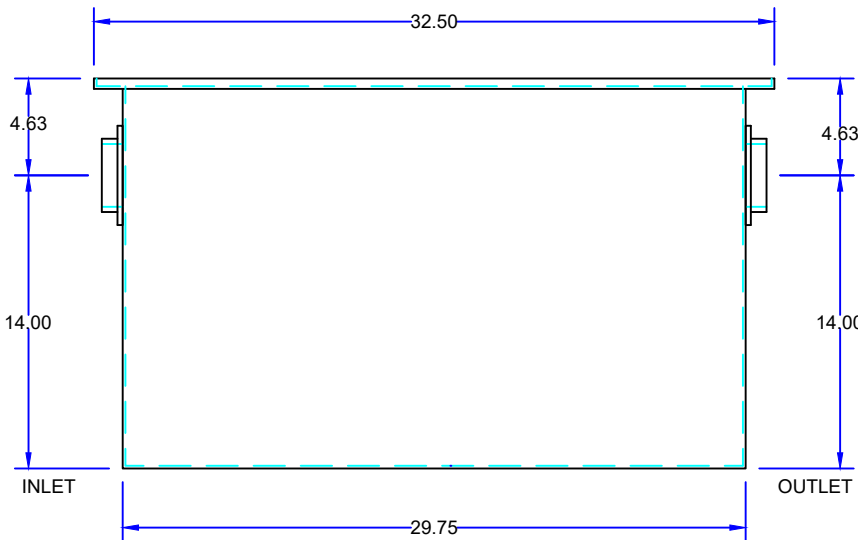
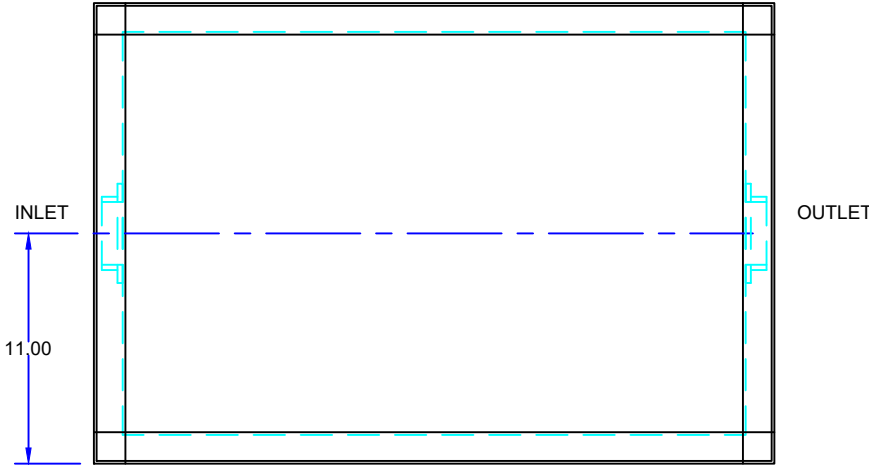
QUOTE#:

DATE: 03/13/24

JOB NAME:

OPTIONAL FEATURES (ADDITIONAL COST)

- INLET & OUTLET SIZE _____ INCHES
- ALUMINUM COVER



SPECIFICATIONS

Rockford Model R-POLY-35, polyethylene interceptor, for on the floor or flush with the floor installation, 35 g.p.m. intermittent flow, 70 lbs. grease capacity, 3" threaded inlet and outlet connections and flow control device, removable nonskid polyethylene cover for on the floor or flush with floor installation suitable for pedestrian traffic, secured with stainless steel screws, leak-proof gasket.

This unit is PDI-G101 Certified, installed in accordance with local plumbing code requirements and manufacturer's instructions.

NOTE: Integral extensions and bolt-on extensions are not available for the R-Poly series.

Optional features (Additional cost) listed above

Approved By

Company

Date