



# ROCKFORD SEPARATORS

5159 28th Ave ROCKFORD, IL 61109  
(815) 229-5077 - FAX (815) 229-5108  
www.rkfdseparators.com - rssem@rkfdseparators.com

MODEL NO. RCB-1080

CATCH BASIN/SAND INTERCEPTOR

DRAWN BY R.P.P.

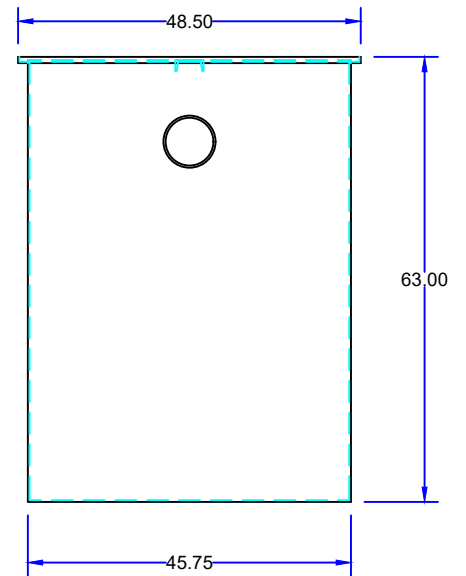
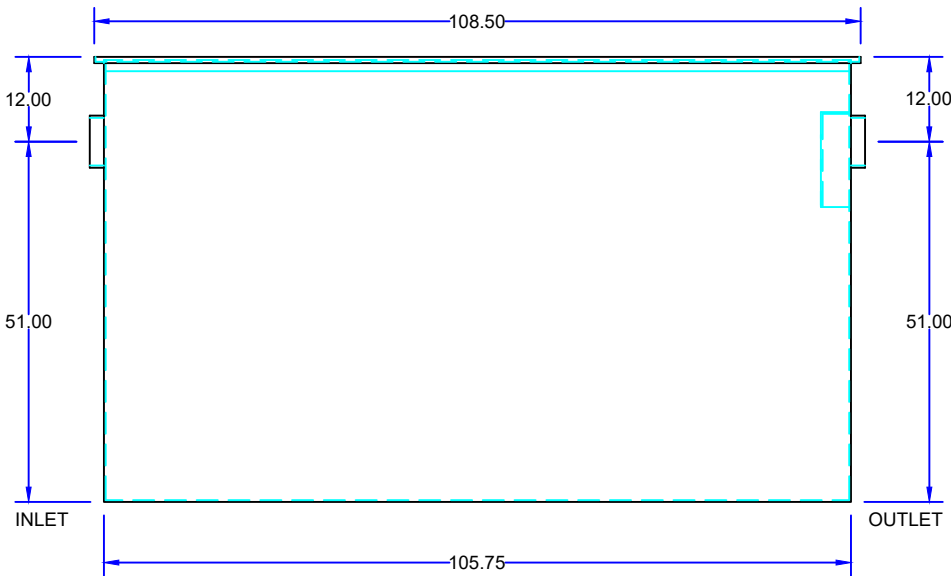
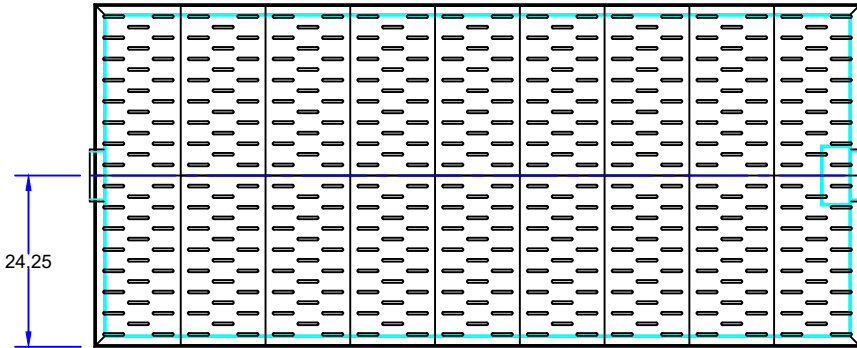
QUOTE#:

DATE: 03/08/24

JOB NAME:

OPTIONAL FEATURES (ADDITIONAL COST)

- ANCHOR FLANGE
- EPOXY COATING
- LIGHT TRAFFIC REINFORCED COVERS
- HEAVY TRAFFIC H20 REINFORCED COVERS
- STAINLESS STEEL CONSTRUCTION
- INTEGRAL EXTENSION \_\_\_\_\_ INCHES
- INLET & OUTLET SIZE \_\_\_\_\_ INCHES
- AUXILIARY INLET TAPPING



## SPECIFICATIONS

Rockford Model RCB-1080 catch basin/sand interceptor all welded A36 1/4" steel, 1080 gallon static capacity, 6.00" Threaded inlet and outlet, with outlet trap seal (18) 3/8" slotted grates (for flush-with-floor installation) for pedestrian traffic, OPEX SHOP COAT coating inside & bituminous coating outside.

Optional features (Additional cost) listed above

Approved By

Company

Date