



ROCKFORD SEPARATORS

5159 28th Ave ROCKFORD, IL 61109
(815) 229-5077 - FAX (815) 229-5108
www.rkfdseparators.com - rssem@rkfdseparators.com

MODEL NO. RCB-60

CATCH BASIN / SAND INTERCEPTOR

DRAWN BY R.P.P.

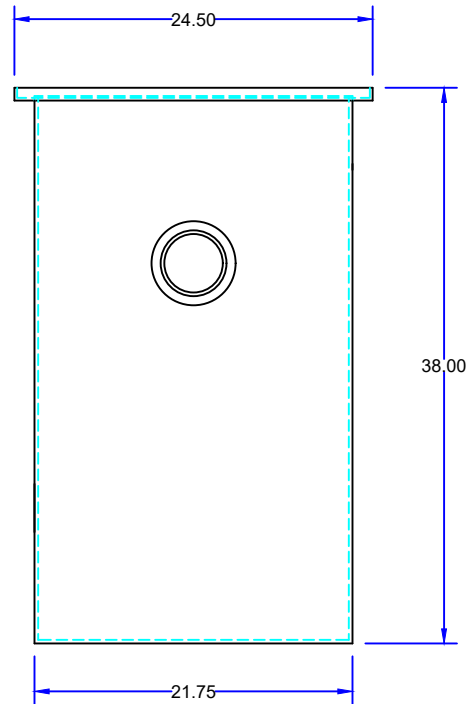
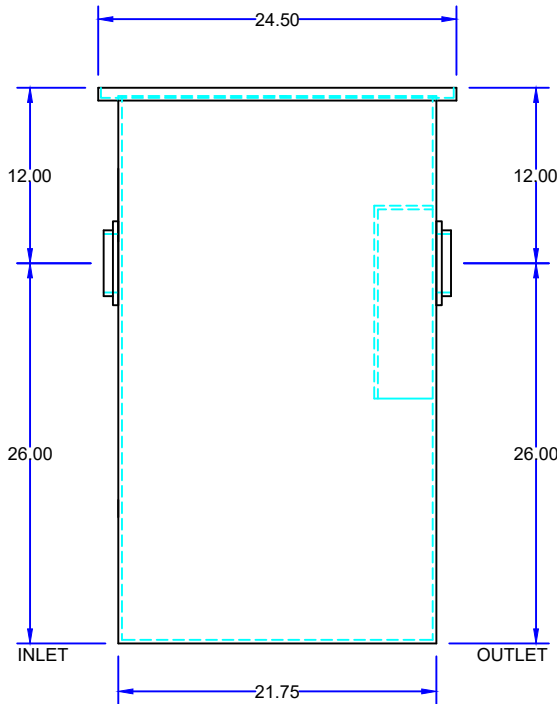
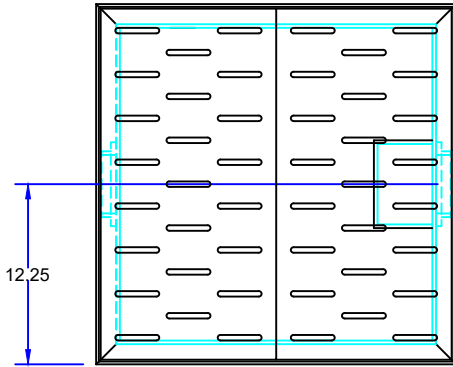
QUOTE#:

DATE: 10/24/23

JOB NAME:

OPTIONAL FEATURES (ADDITIONAL COST)

- ANCHOR FLANGE
- EPOXY COATING
- LIGHT TRAFFIC REINFORCED COVERS
- HEAVY TRAFFIC REINFORCED COVERS
- STAINLESS STEEL CONSTRUCTION
- INTEGRAL EXTENSION _____ INCHES
- INLET & OUTLET SIZE _____ INCHES
- SOLID NON-SKID TREADPLATE COVER



SPECIFICATIONS

Rockford Model RCB-60 Catch basin/sand interceptor all welded A36 1/4" steel, 60 gallon static capacity, 4.00" threaded inlet/outlet with outlet trap seal (2) 3/8" slotted grates (for flush-with-floor installation) for pedestrian traffic, OPEX SHOP COAT coating inside & bituminous coating outside.

Optional features (Additional cost) listed above

Approved By

Company

Date