



# ROCKFORD SEPARATORS

5159 28th Ave ROCKFORD, IL 61109  
 (815) 229-5077 - FAX (815) 229-5108  
 www.rkfdseparators.com - rssem@rkfdseparators.com

**MODEL NO. RLS-3628**

**LINT SEPARATOR**

**DRAWN BY R.P.P.**

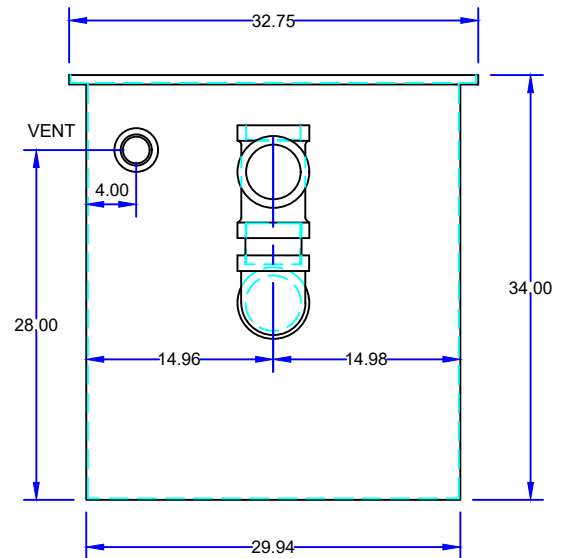
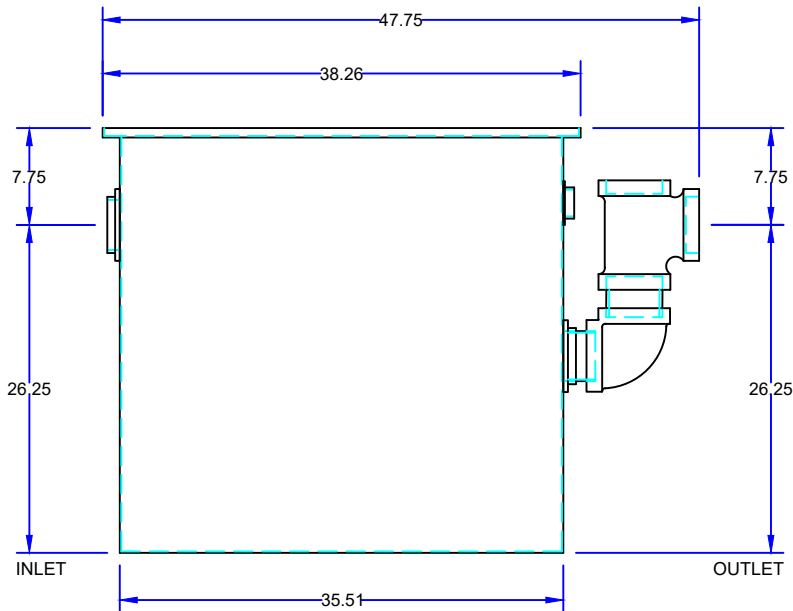
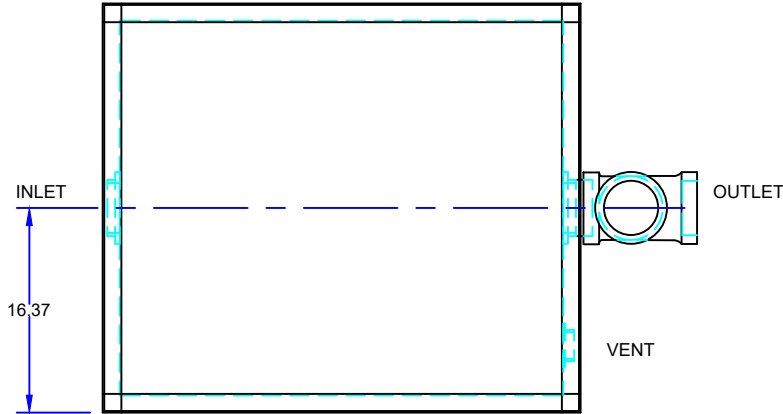
**QUOTE#:**

**DATE: 10/10/22**

**JOB NAME:**

OPTIONAL FEATURES (ADDITIONAL COST)

- ANCHOR FLANGE
- CLAMP RING
- RECESSED LIFT HANDLES IN COVERS
- EPOXY COATING
- ANODES
- REINFORCED COVER
- STAINLESS STEEL CONSTRUCTION
- INTEGRAL EXTENSION \_\_\_\_\_ INCHES
- ALUMINUM COVER
- SEDIMENT BASKET



## SPECIFICATIONS

Rockford Model RLS-3628 all welded 10 Ga. steel separator, 110 gallon static holding capacity, 4.00" tapped inlet/outlet with 2.00" tapped internal vent connection, visible double-wall outside trap seal, easily removable filter for cleaning, removable 3/8" nonskid diamond tread plate cover for flush with floor installation suitable for pedestrian traffic secured with stainless flat head screws, heavy duty leak-proof gasket, OPEX Shop Coat coating inside and bituminous coating outside.

**Optional features (Additional cost) listed above**

**Approved By**

**Company**

**Date**