



ROCKFORD SEPARATORS

5159 28th Ave ROCKFORD, IL 61109
 (815) 229-5077 - FAX (815) 229-5108
 www.rkfdseparators.com - rssem@rkfdseparators.com

MODEL NO. RLSW-100

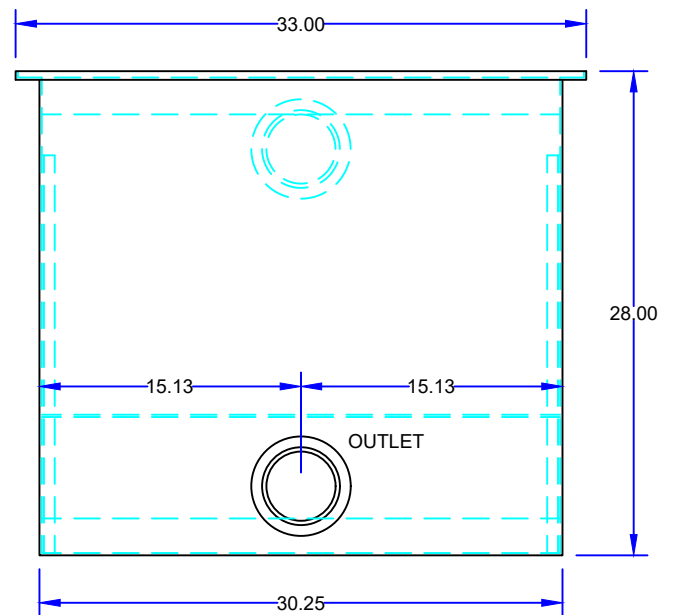
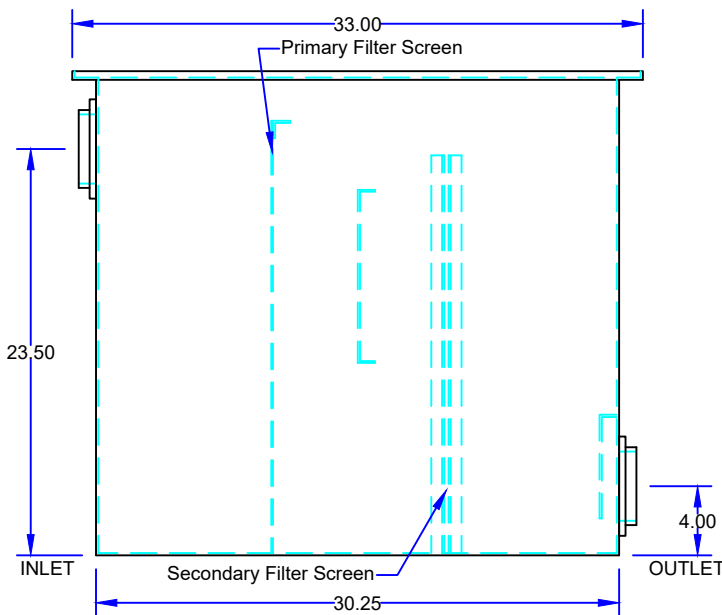
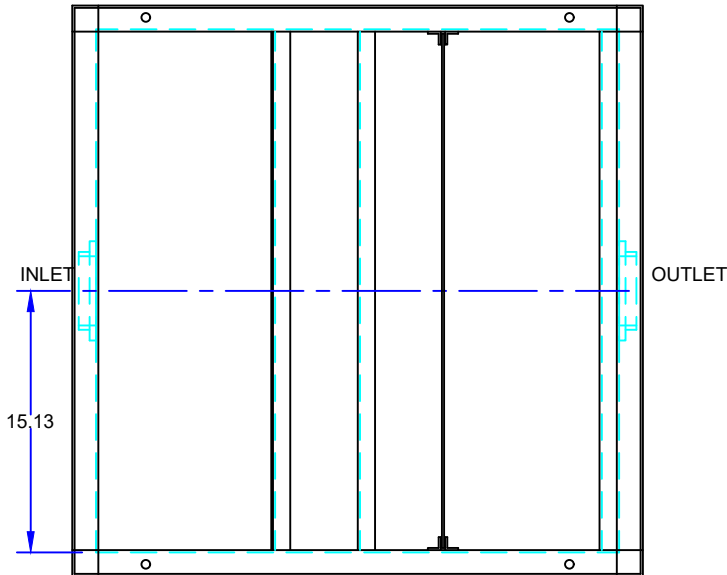
LINT INTERCEPTOR

DRAWN BY R.P.P.

QUOTE#: **DATE: 04/19/22** **JOB NAME:**

OPTIONAL FEATURES (ADDITIONAL COST)

- ANCHOR FLANGE
- CLAMP RING
- RECESSED LIFT HANDLES IN COVERS
- EPOXY COATING
- ANODES
- REINFORCED COVER
- STAINLESS STEEL CONSTRUCTION
- INTEGRAL EXTENSION _____ INCHES
- ALUMINUM COVER



SPECIFICATIONS

Rockford Model RLSW-100 all welded 10 Ga. steel separator, 100 gpm flow rate with 4.00" tapped inlet/outlet, easily removable filter for cleaning, removable 3/16" nonskid tread plate cover for flush with floor installation suitable for pedestrian traffic secured with stainless flat head screws, heavy duty leak-proof gasket, enamel coating inside and outside.

Optional features (Additional cost) listed above

Approved By

Company

Date