



# ROCKFORD SEPARATORS

5159 28th Ave ROCKFORD, IL 61109  
(815) 229-5077 - FAX (815) 229-5108  
www.rkfdseparators.com - rssem@rkfdseparators.com

MODEL NO. RLSW-70

LINT INTERCEPTOR

DRAWN BY R.P.P.

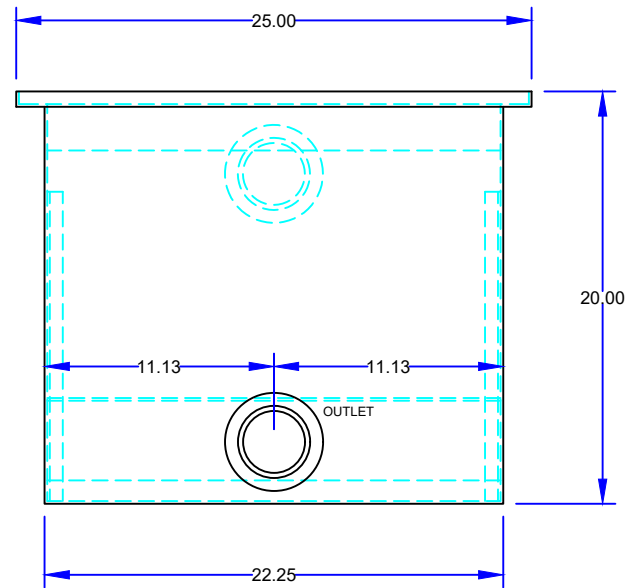
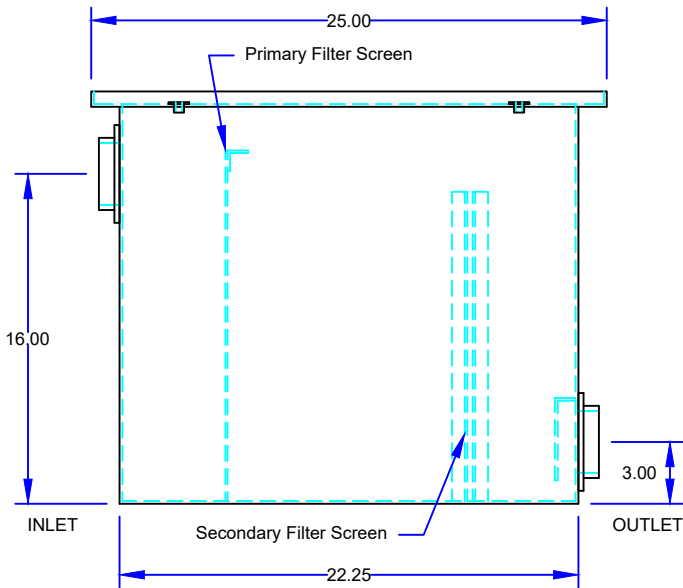
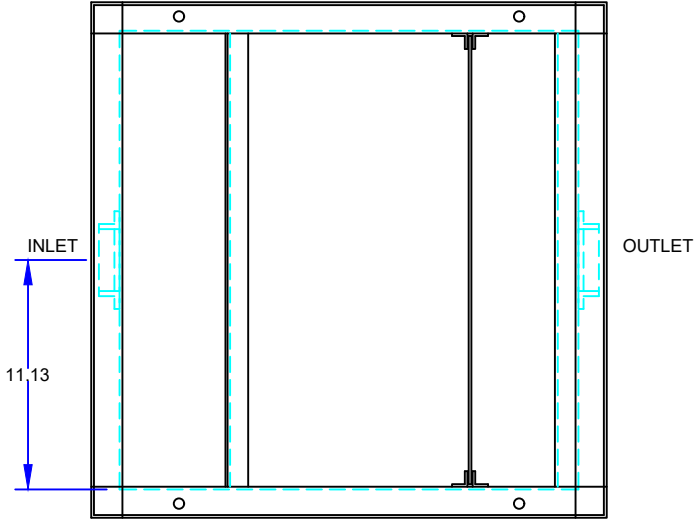
QUOTE#:

DATE: 03/23/22

JOB NAME:

### OPTIONAL FEATURES (ADDITIONAL COST)

- ANCHOR FLANGE
- CLAMP RING
- RECESSED LIFT HANDLES IN COVERS
- EPOXY COATING
- ANODES
- REINFORCED COVER
- STAINLESS STEEL CONSTRUCTION
- INTEGRAL EXTENSION \_\_\_\_\_ INCHES
- ALUMINUM COVER



## SPECIFICATIONS

Rockford Model RLSW-70 all welded 10 Ga. steel separator, with 3.00" tapped inlet/outlet, easily removable filter for cleaning, removable 3/16" nonskid diamond tread plate cover for flush with floor installation suitable for pedestrian traffic secured with stainless flat head screws, heavy duty leak-proof gasket, enamel coating inside and outside.

### Optional features (Additional cost) listed above

Approved By

Company

Date