

# Rockford Separators

5159 28th Ave ROCKFORD, IL 61109

(815) 229-5077 - (800) 747-5077 - FAX (815) 229-5108

WEB SITE-www.rkfdseparators.com E MAIL-rssem@rkfdseparators.com

MODEL NO. R01-3500

OIL/SAND INTERCEPTOR

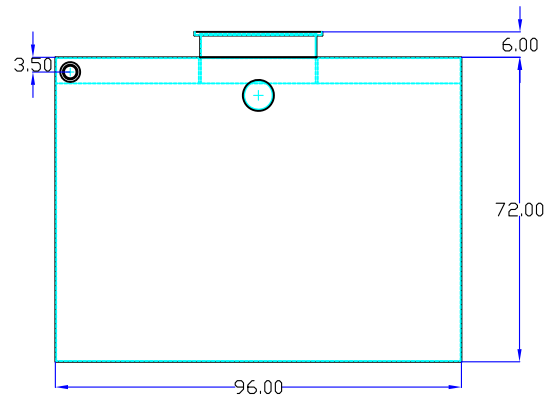
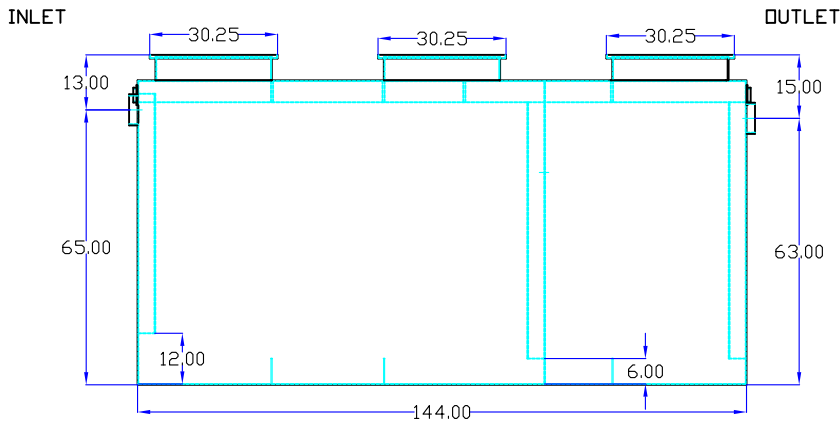
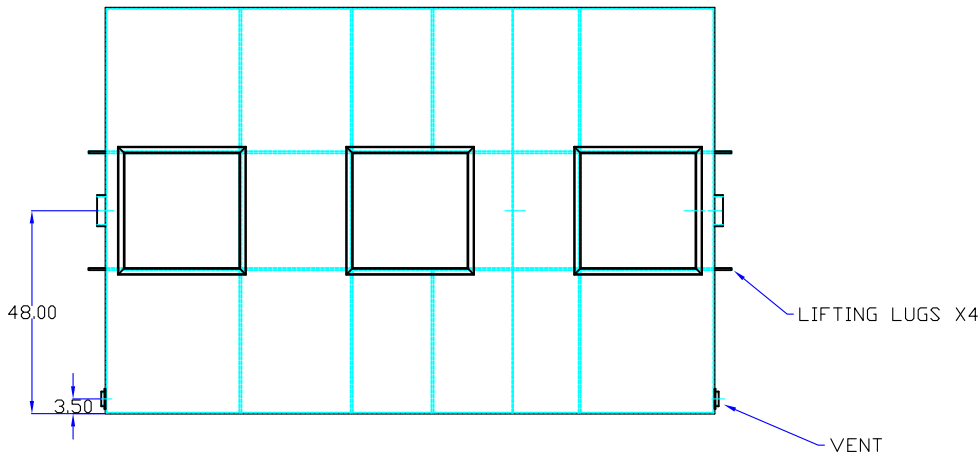
DRAWN BY QUOTE #  
W.R.W.

JOB NAME

Note; Standard unit shown with 6" riser.  
Manway height can be made to customers  
specified requirements.

### OPTIONAL FEATURES (ADDITIONAL COST)

- MANWAY HEIGHT REQUIRED \_\_\_\_\_ INCHES
- INLET & OUTLET SIZE \_\_\_\_\_ INCHES
- EPOXY COATING  ANODES
- STAINLESS STEEL CONSTRUCTION
- DOUBLE WALL CONSTRUCTION
- LEAK DETECTION
- HIGH LEVEL SENSOR & ALARM
- COALESCING PACK
- PUMP OUT CONNECTION
- HOLD DOWN PADS
- RECESSED LIFT HANDLES IN COVERS
- ANCHOR FLANGE



## Specifications

Rockford Model R01-3500 all welded steel gravity oil/sediment interceptor, with 3500 gallon capacity, 6" threaded inlet/outlet and 3" vent connections, removable 3/8" nonskid tread plate covers for flush with grade installation suitable for heavy traffic loading (H/20), secured with stainless steel flat head screws, heavy duty leak-proof gasket, with bituminous coating outside. Approx. ship weight of 6100 Lbs.

Optional features (Additional cost) listed above

Approved By

Company

Date