



Rockford Sanitary Systems, Inc.

ROCKFORD, IL 61125-0963

(815) 229-5077 - (800) 747-5077 - FAX (815) 229-5108

WEB SITE-www.rkfdseparators.com E MAIL-rssem@rkfdseparators.com

MODEL NO. RP-100-SS

GREASE INTERCEPTOR

DRAWN BY

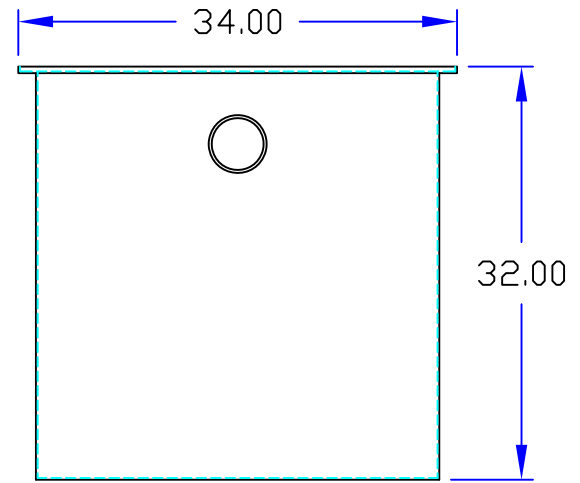
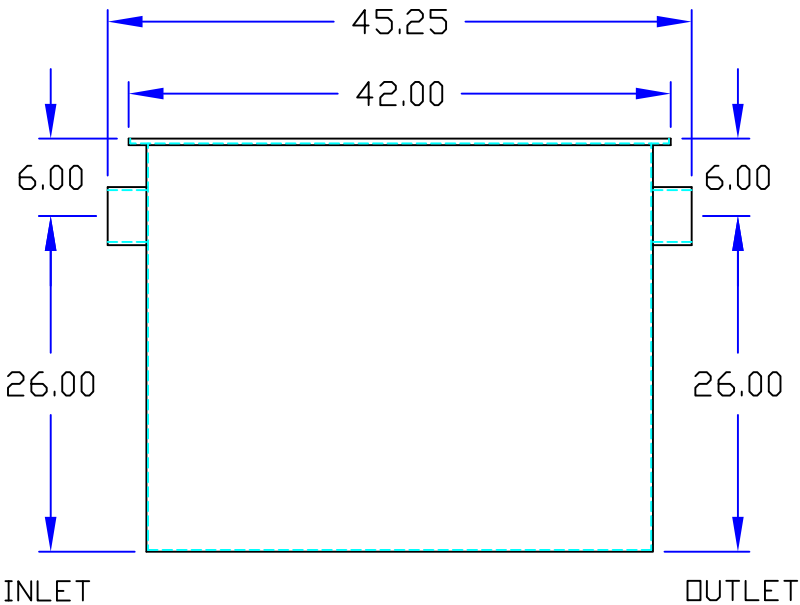
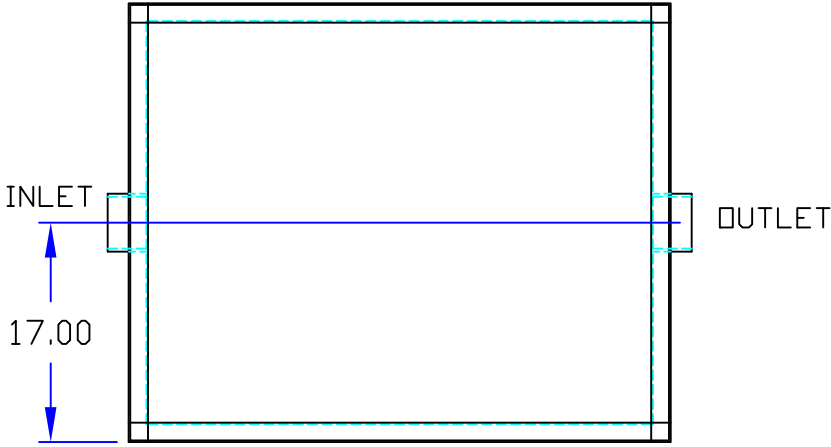
QUOTE #

JOB NAME

W.R.W.

OPTIONAL FEATURES (ADDITIONAL COST)

- ANCHOR FLANGE
- EPOXY COATING
- INTEGRAL EXTENSION _____ INCHES
- INLET & OUTLET SIZE _____ INCHES
- ALUMINUM COVER
- THREADED CONNECTIONS



Specifications

Rockford Separator Model RP-100SS all welded stainless steel interceptor, with 125 gallon static holding capacity, 100 g.p.m. intermittent flow, 200 lbs. grease capacity, 4.00" no-hub inlet/outlet connections and flow control device, removable 3/16" nonskid stainless steel treadplate cover for on the floor or flush with floor installation suitable for pedestrian traffic, secured with stainless steel flat head screw(s), and heavy duty leak-proof gasket.

Optional features (Additional cost) listed above



Approved By

Company

Date