



# ROCKFORD SEPARATORS

5159 28th Ave ROCKFORD, IL 61109  
(815) 229-5077 - FAX (815) 229-5108  
www.rkfdseparators.com - rssem@rkfdseparators.com

MODEL NO. RP-150

GREASE INTERCEPTOR

DRAWN BY R.P.P.

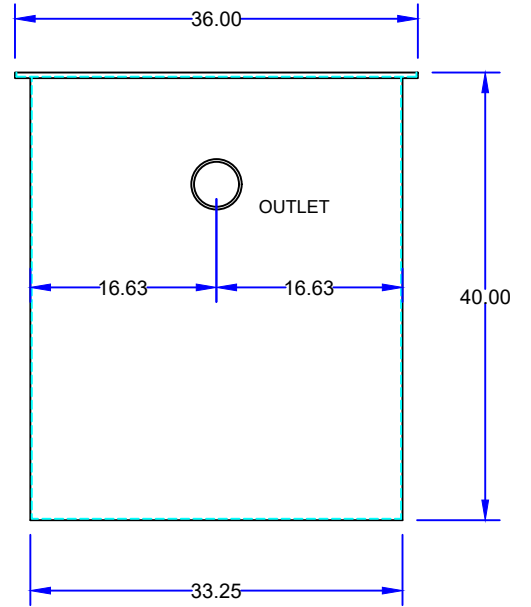
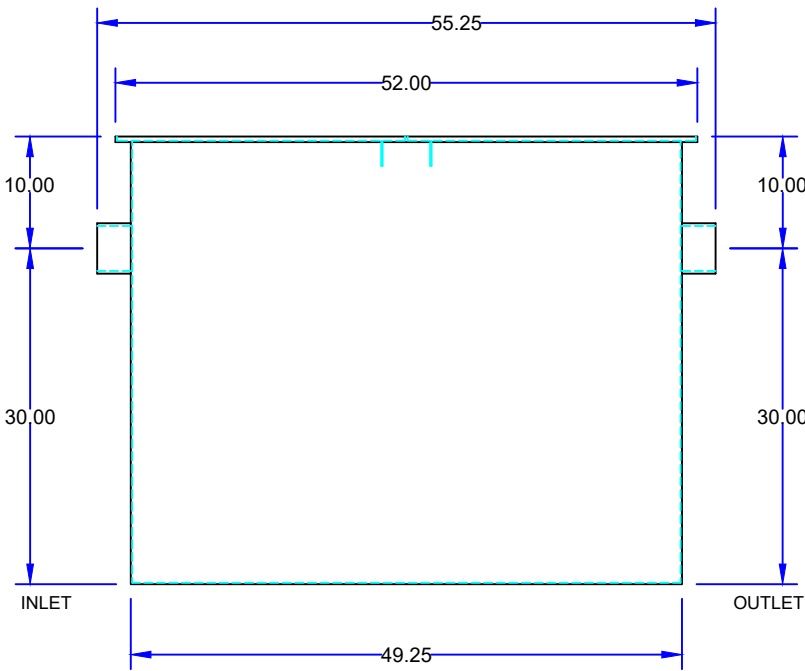
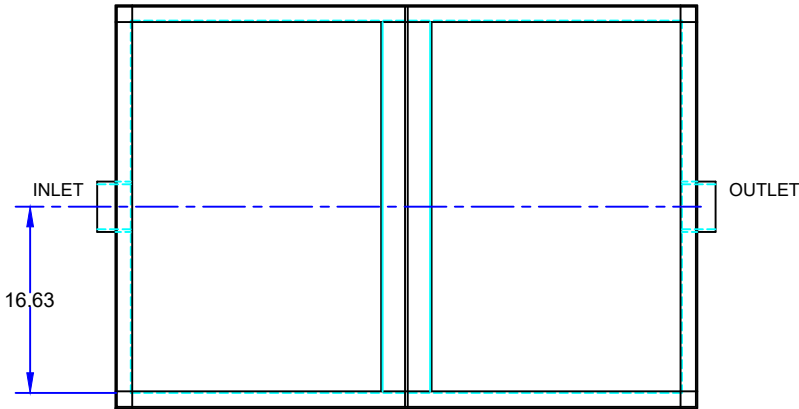
QUOTE#:

DATE: 03/21/22

JOB NAME:

OPTIONAL FEATURES (ADDITIONAL COST)

- ANCHOR FLANGE
- EPOXY COATING
- STAINLESS STEEL CONSTRUCTION
- INTEGRAL EXTENSION \_\_\_\_\_ INCHES
- INLET & OUTLET SIZE \_\_\_\_\_ INCHES
- ALUMINUM COVER
- THREADED CONNECTIONS



## SPECIFICATIONS

Rockford Model RP-150 all welded steel interceptor, with 196 gallon static holding capacity, 150 g.p.m. intermittent flow, 300 lbs. grease/sludge capacity, 4.00" no-hub inlet and outlet connections and flow control device, removable 3/16" nonskid diamond treadplate cover for on the floor or flush with floor installation suitable for pedestrian traffic, secured with stainless steel flat head screws, heavy duty leak-proof gasket, enamel coating inside and outside

Optional features (Additional cost) listed above

Approved By

Company

Date