



Rockford Sanitary Systems, Inc.

ROCKFORD, IL 61125-0963

(815) 229-5077 - (800) 747-5077 - FAX (815) 229-5108

WEB SITE-www.rkfdseparators.com E MAIL-rssem@rkfdseparators.com

MODEL NO. RP-25-SS

GREASE INTERCEPTOR

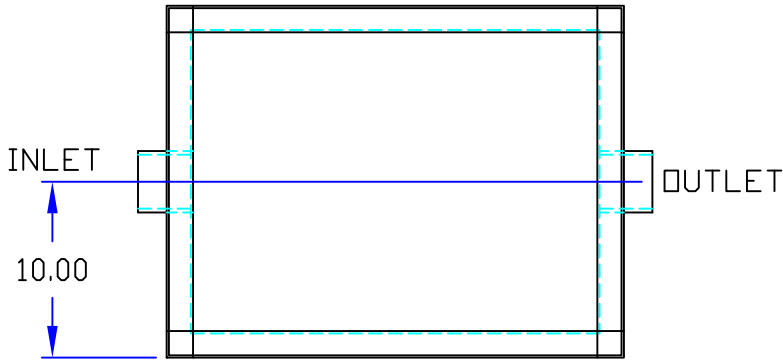
DRAWN BY

QUOTE #

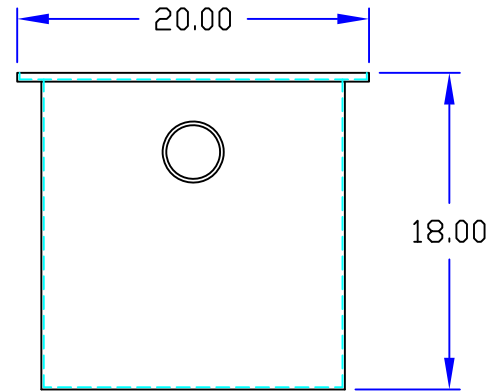
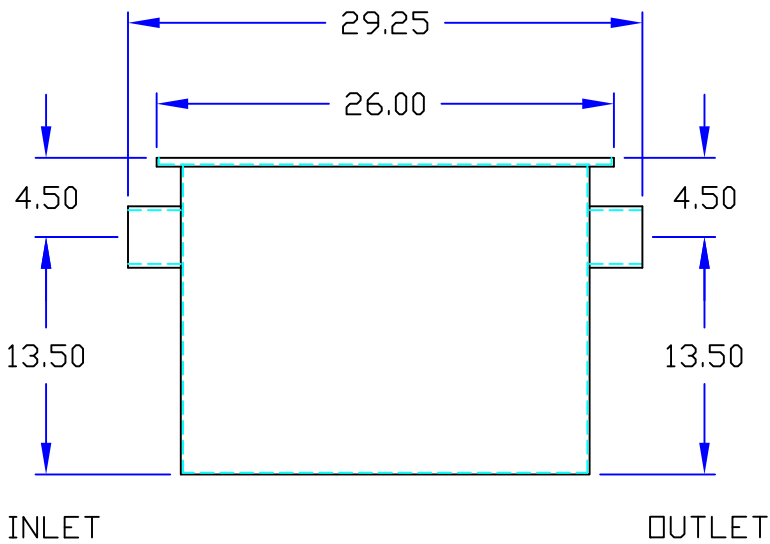
JOB NAME

W.R.W.

OPTIONAL FEATURES (ADDITIONAL COST)



- ANCHOR FLANGE
- EPOXY COATING
- INTEGRAL EXTENSION _____ INCHES
- INLET & OUTLET SIZE _____ INCHES
- ALUMINUM COVER
- THREADED CONNECTIONS



Specifications

Rockford Model RP-25 all welded stainless interceptor, for on the floor or flush with the floor installation, 25 g.p.m. intermittent flow, 50 lbs. grease capacity, 3.00" no-hub inlet and outlet connections and flow control device, removable 3/16" nonskid diamond treadplate cover for on the floor or flush with floor installation suitable for pedestrian traffic, secured with stainless steel flat head screws, heavy duty leak-proof gasket.

Optional features (Additional cost) listed above



Approved By

Company

Date