



ROCKFORD SEPARATORS

5159 28th Ave ROCKFORD, IL 61109
(815) 229-5077 - FAX (815) 229-5108
www.rkfdseparators.com - rssem@rkfdseparators.com

MODEL NO. RSP-20-G

GREASE INTERCEPTOR

DRAWN BY R.P.P.

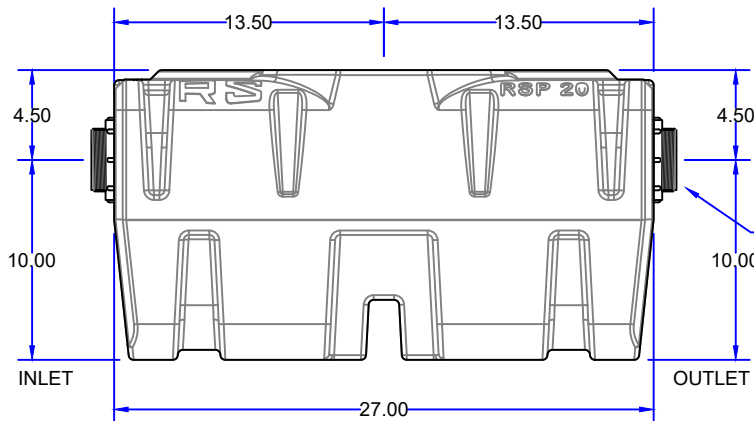
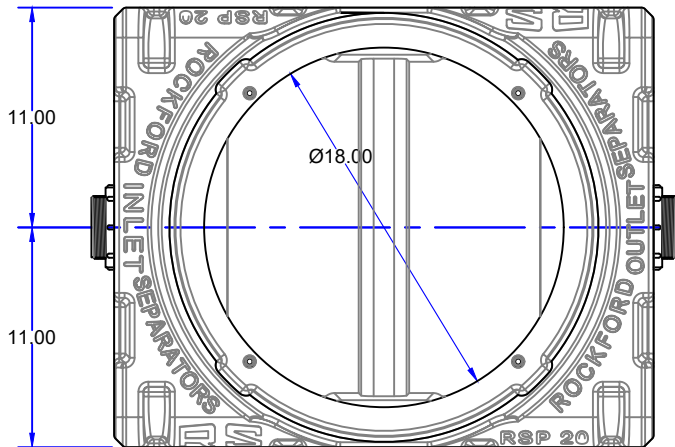
QUOTE#:

DATE: 04/24/26

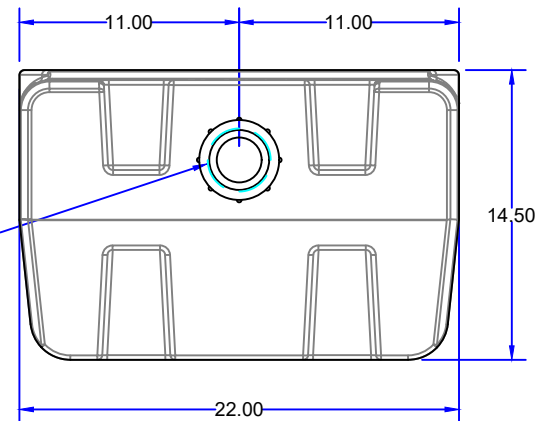
JOB NAME:

OPTIONAL FEATURES (ADDITIONAL COST)

- (1) STEEL H2O COVER
- (1) 36" HDPE ACCESS RISER KIT
- (2) TIE-DOWN ANCHOR STRAPS
- ALTERNATE INLET & OUTLET SIZE ____ INCHES
- (1) 2.00" REMOTE PUMP-OUT PORT



BULKHEAD FITTING



NOTE: For high water table applications add anchor brackets to be anchored to anti-float slab (anti-float slab by others). Upward groundwater pressure will require a water tight concrete vault (concrete vault by others).

SPECIFICATIONS

Rockford Separators Model RSP-20-G high density polyethylene gravity grease interceptor, rotationally molded 3/8" HDPE wall, with 2.00" threaded inlet/outlet, 20 gallon capacity, 20 gpm intermittent flow, 40 pounds rated / 114 LBS actual greasy sludge capacity, removable HDPE cover for flush with grade installation suitable for pedestrian traffic load (500#), secured with stainless steel HEX head bolts, heavy duty leak-proof gasket, and Limited Lifetime Warranty. Approximate ship weight of 40 Lbs.

Optional features (Additional cost) listed above

Approved By

Company

Date